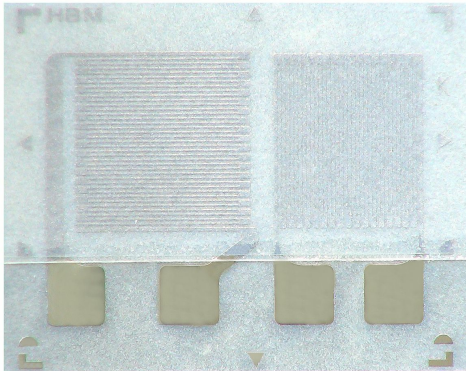
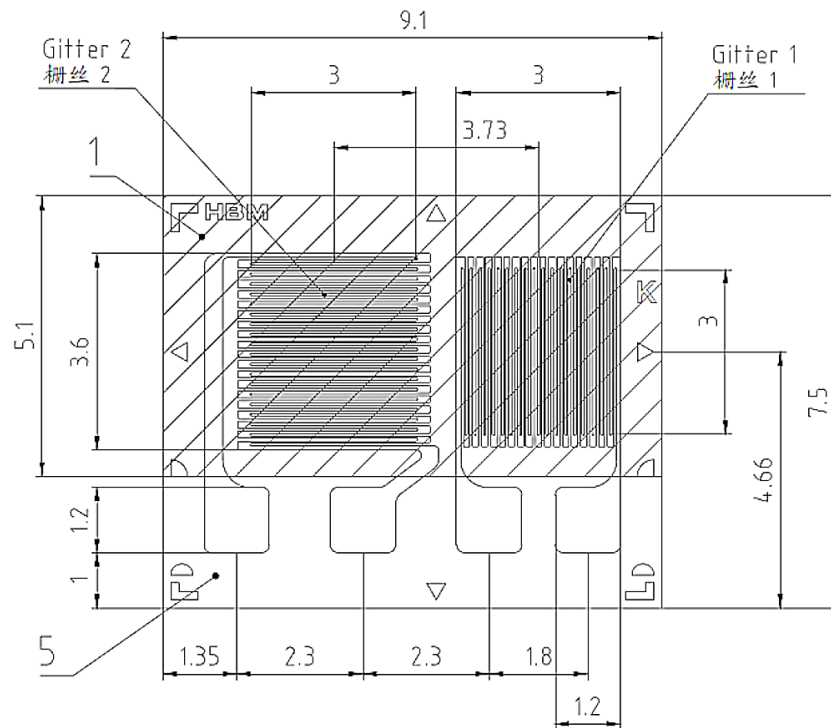


K-216.68-2206 Pack 1



Description

Dimensions





Technical Data

Strain gauge

Purpose of measurement	Sensor construction
Type	Rosette-0-90
Number of grids	2
Grid width	3 mm
maximum width	9.1 mm
Grid length	3 mm
maximum length	7.5 mm
Resistance	350 Ohm
Grid disposition	0-90
Connection	Solder pad
Type	Foil strain gauge
Temperature adjustment	Steel
Substrate	PEEK