

Comparison Table 6-Axis Sensors

	Technical Data	Unit	F6D80-40 100N/10Nm	F6D80-40 300N/30Nm	F6D100-50 200N/20Nm	F6D100-50 600N/60Nm
Sensor type	Design		Robotik Flange FT Sensor	Robotik Flange FT Sensor	Robotik Flange FT Sensor	Robotik Flange FT Sensor
	Measuring principle		6x Strain Gauge Full Bridge	6x Strain Gage Full Bridge	6x Strain Gauge Full Bridge	6x Strain Gage Full Bridge
	Construction		3x Bending Element	3x Bending Element	3x Bending Element	3x Bending Element
	Material		al alloy	steel alloy, 1.4542	al alloy	steel alloy, 1.4542
	Weight	kg				1,070
Dimensions	Diameter	mm	80	80	100	100
	Height	mm	40	40	40	40
	Pitch circle	mm	40	40	50	50
Mechanical Data	Rated force Fx	N	100	300	200	600
	Rated force Fy	N	100	300	200	600
	Rated force Fz	N	200	600	400	1200
	Rated torque Mx	Nm	10	30	20	60
	Rated torque My	Nm	10	30	20	60
	Rated torque Mz	Nm	10	30	20	60
	Operating force Fx	N	900	2100	600	1800
	Operating force Fy	N	900	2100	600	1800
	Operating force Fz	N	3000	5400	2400	9600
	Bending moment limit Mx	Nm	60	150	200	180
	Bending moment limit My	Nm	60	150	200	180
Torque limit Mz	Nm	30	90	100	120	

Comparison Table 6-Axis Sensors

	Technical Data	Unit	F6D80-40 100N/10Nm	F6D80-40 300N/30Nm	F6D100-50 200N/20Nm	F6D100-50 600N/60Nm	
Electrical Data	Characteristic value Fx	mV/V	0,23	0,3	0,75	0,6	
	Characteristic value Fy	mV/V	0,23	0,3	0,75	0,6	
	Characteristic value Fz	mV/V	0,13	0,22	0,33	0,25	
	Characteristic value Mx	mV/V	0,35	0,4	0,2	0,68	
	Characteristic value My	mV/V	0,35	0,4	0,2	0,68	
	Characteristic value Mz	mV/V	0,68	0,7	0,4	0,9	
	smallest display step with „GSV-1, GSV-6“ (noise amplitude)						
	Resolution Fx	N	0,0870	0,2000	0,0533	0,2000	
	Resolution Fy	N	0,0870	0,2000	0,0533	0,2000	
	Resolution Fz	N	0,3077	0,5455	0,2424	0,9600	
	Resolution Mx	Nm	0,0057	0,0150	0,0200	0,0176	
	Resolution My	Nm	0,0057	0,0150	0,0200	0,0176	
	Resolution Mz	Nm	0,0029	0,0086	0,0100	0,0133	
	smallest display step with „GSV-8“ (noise amplitude)						
	Resolution Fx	N	0,0174	0,0400	0,0107	0,0400	
	Resolution Fy	N	0,0174	0,0400	0,0107	0,0400	
	Resolution Fz	N	0,0615	0,1091	0,0485	0,1920	
	Resolution Mx	Nm	0,0011	0,0030	0,0040	0,0035	
	Resolution My	Nm	0,0011	0,0030	0,0040	0,0035	
Resolution Mz	Nm	0,0006	0,0017	0,0020	0,0027		
Characteristics	Origin		B	B	B	B	
	Temperature Compensation		Std	Std	Std	Std	
	Connection		CG; MP11; M12	CG; MP11; M12	CG; MP11; M12	CG; MP11; M12	

Comparison Table 6-Axis Sensors

	Technical Data	Unit	K6D27 50N/1Nm	K6D40 200N/5Nm	K6D40 500N/20Nm	K6D68 1kN/20Nm	K6D68 2kN/50Nm
Sensor type	Design		FT Sensor	FT Sensor	FT Sensor	FT Sensor	FT Sensor
	Measuring principle		6x Strain Gauge Full Bridge	6x Strain Gauge Full Bridge	6x Strain Gauge Full Bridge	6x Strain Gauge Full Bridge	6x Strain Gauge Full Bridge
	Construction		6x pillar	6x pillar	6x pillar	6x pillar	6x pillar
	Material		al alloy	al alloy	steel, 1.4542	al alloy	steel, 1.4542
	Weight	kg	0,030	0,190	0,360	0,550	1,050
Dimensions	Diameter	mm	27	60	60	83	83
	Height	mm	25	40	40	64	64
	Pitch circle	mm	20	47	47	65	65
Mechanical Data	Rated force Fx	N	50	200	500	1000	2000
	Rated force Fy	N	50	200	500	1000	2000
	Rated force Fz	N	200	500	2000	2000	4000
	Rated torque Mx	Nm	1	5	20	20	50
	Rated torque My	Nm	1	5	20	20	50
	Rated torque Mz	Nm	1	10	40	20	50
	Operating force Fx	N	150	1000	3000	3000	8000
	Operating force Fy	N	150	1000	3000	3000	8000
	Operating force Fz	N	600	2500	8000	10000	20000
	Bending moment limit Mx	Nm	3	35	100	140	250
	Bending moment limit My	Nm	3	35	100	140	250
Torque limit Mz	Nm	3	50	120	140	300	

Comparison Table 6-Axis Sensors

	Technical Data	Unit	K6D27 50N/1Nm	K6D40 200N/5Nm	K6D40 500N/20Nm	K6D68 1kN/20Nm	K6D68 2kN/50Nm	
Electrical Data	Characteristic value Fx	mV/V	0,6	0,4	0,33	0,6	0,56	
	Characteristic value Fy	mV/V	0,6	0,4	0,33	0,6	0,56	
	Characteristic value Fz	mV/V	0,8	0,4	0,45	0,43	0,38	
	Characteristic value Mx	mV/V	0,7	0,3	0,39	0,3	0,37	
	Characteristic value My	mV/V	0,7	0,3	0,39	0,3	0,37	
	Characteristic value Mz	mV/V	0,6	0,4	0,62	0,3	0,32	
	smallest display step with „GSV-1, GSV-6“ (noise amplitude)							
	Resolution Fx	N	0,0167	0,1000	0,3030	0,3333	0,7143	
	Resolution Fy	N	0,0167	0,1000	0,3030	0,3333	0,7143	
	Resolution Fz	N	0,0500	0,2500	0,8889	0,9302	2,1053	
	Resolution Mx	Nm	0,0003	0,0033	0,0103	0,0133	0,0270	
	Resolution My	Nm	0,0003	0,0033	0,0103	0,0133	0,0270	
	Resolution Mz	Nm	0,0003	0,0050	0,0129	0,0133	0,0313	
	smallest display step with „GSV-8“ (noise amplitude)							
	Resolution Fx	N	0,0033	0,0200	0,0606	0,0667	0,1429	
	Resolution Fy	N	0,0033	0,0200	0,0606	0,0667	0,1429	
	Resolution Fz	N	0,0100	0,0500	0,1778	0,1860	0,4211	
	Resolution Mx	Nm	0,0001	0,0007	0,0021	0,0027	0,0054	
	Resolution My	Nm	0,0001	0,0007	0,0021	0,0027	0,0054	
Resolution Mz	Nm	0,0001	0,0010	0,0026	0,0027	0,0063		
Characteristics	Origin		B	B	B	A; C	A; C	
	Temperature Compensation		Std	Std	Std	Std; ITC;	Std; ITC;	
	Connection		CG	CG	CG	CG	CG	

Comparison Table 6-Axis Sensors

	Technical Data	Unit	K6D68 5kN/50Nm	K6D68 10kN/100Nm	K6D68 10kN/500Nm	K6D80 2kN/100Nm	K6D80 5kN/250Nm
Sensor type	Design		FT Sensor	FT Sensor	FT Sensor	FT Sensor	FT Sensor
	Measuring principle		6x Strain Gauge Full Bridge	6x Strain Gauge Full Bridge	6x Strain Gauge Full Bridge	6x Strain Gauge Full Bridge	6x Strain Gauge Full Bridge
	Construction		6x pillar	6x pillar	6x pillar	6x pillar	6x pillar
	Material		steel, 1.4542	steel, 1.4542	steel, 1.4542	al alloy	steel, 1.4542
	Weight	kg	1,050	1,050	1,050		
Dimensions	Diameter	mm	83	83	83	80	80
	Height	mm	64	64	64	50	50
	Pitch circle	mm	65	65	65	60	60
Mechanical Data	Rated force Fx	N	5000	10000	10000	2000	5000
	Rated force Fy	N	5000	10000	10000	2000	5000
	Rated force Fz	N	10000	10000	10000	5000	15000
	Rated torque Mx	Nm	50	100	500	100	250
	Rated torque My	Nm	50	100	500	100	250
	Rated torque Mz	Nm	50	100	500	100	250
	Operating force Fx	N	10000	20000	40000	6000	15000
	Operating force Fy	N	10000	20000	40000	6000	15000
	Operating force Fz	N	50000	50000	100000	15000	45000
	Bending moment limit Mx	Nm	400	700	1500	300	750
	Bending moment limit My	Nm	400	700	1500	300	750
Torque limit Mz	Nm	450	800	1500	300	750	

Comparison Table 6-Axis Sensors

	Technical Data	Unit	K6D68 5kN/50Nm	K6D68 10kN/100Nm	K6D68 10kN/500Nm	K6D80 2kN/100Nm	K6D80 5kN/250Nm	
Electrical Data	Characteristic value Fx	mV/V	1	1	0,5	0,8	0,8	
	Characteristic value Fy	mV/V	1	1	0,5	0,8	0,8	
	Characteristic value Fz	mV/V	0,39	0,39	0,2	0,6	0,6	
	Characteristic value Mx	mV/V	0,26	0,3	0,8	0,8	0,8	
	Characteristic value My	mV/V	0,26	0,3	0,8	0,8	0,8	
	Characteristic value Mz	mV/V	0,23	0,25	0,8	0,8	0,8	
	smallest display step with „GSV-1, GSV-6“ (noise amplitude)							
	Resolution Fx	N	1,0000	2,0000	4,0000	0,5000	1,2500	
	Resolution Fy	N	1,0000	2,0000	4,0000	0,5000	1,2500	
	Resolution Fz	N	5,1282	5,1282	10,0000	1,6667	5,0000	
	Resolution Mx	Nm	0,0385	0,0667	0,1250	0,0250	0,0625	
	Resolution My	Nm	0,0385	0,0667	0,1250	0,0250	0,0625	
	Resolution Mz	Nm	0,0435	0,0800	0,1250	0,0250	0,0625	
	smallest display step with „GSV-8“ (noise amplitude)							
	Resolution Fx	N	0,2000	0,4000	0,8000	0,1000	0,2500	
	Resolution Fy	N	0,2000	0,4000	0,8000	0,1000	0,2500	
	Resolution Fz	N	1,0256	1,0256	2,0000	0,3333	1,0000	
	Resolution Mx	Nm	0,0077	0,0133	0,0250	0,0050	0,0125	
	Resolution My	Nm	0,0077	0,0133	0,0250	0,0050	0,0125	
Resolution Mz	Nm	0,0087	0,0160	0,0250	0,0050	0,0125		
Characteristics	Origin		A; C	A; C	A; C	B; C	B; C	
	Temperature Compensation		Std; ITC;	Std; ITC;	Std; ITC;	ITC	ITC	
	Connection		CG	CG	CG	CG; MP11	CG; MP11	

Comparison Table 6-Axis Sensors

	Technical Data	Unit	K6D110 4kN/250Nm	K6D110 10kN/750Nm	K6D130 5kN/500Nm	K6D130 15kN/1.2kNm	K6D154 50N/5Nm
Sensor type	Design		FT Sensor	FT Sensor	FT Sensor	FT Sensor	FT Sensor
	Measuring principle		6x Strain Gauge Full Bridge	6x Strain Gauge Full Bridge	6x Strain Gauge Full Bridge	6x Strain Gauge Full Bridge	6x Strain Gauge Full Bridge
	Construction		6x pillar	6x pillar	6x pillar	6x pillar	6x pillar
	Material		al alloy	steel, 1.4542	al alloy	steel, 1.4542	al alloy
	Weight	kg					1,600
Dimensions	Diameter	mm	110	110	130	130	154
	Height	mm	60	60	80	80	100
	Pitch circle	mm	80	80	100	100	132
Mechanical Data	Rated force Fx	N	4000	10000	5000	15000	50
	Rated force Fy	N	4000	10000	5000	15000	50
	Rated force Fz	N	10000	25000	15000	50000	100
	Rated torque Mx	Nm	250	750	500	1200	5
	Rated torque My	Nm	250	750	500	1200	5
	Rated torque Mz	Nm	250	750	500	1200	5
	Operating force Fx	N	12000	30000	15000	45000	200
	Operating force Fy	N	12000	30000	15000	45000	200
	Operating force Fz	N	30000	100000	45000	100000	600
	Bending moment limit Mx	Nm	750	2250	1500	2400	25
	Bending moment limit My	Nm	750	2250	1500	2400	25
Torque limit Mz	Nm	750	2250	1500	3600	25	

Comparison Table 6-Axis Sensors

	Technical Data	Unit	K6D110 4kN/250Nm	K6D110 10kN/750Nm	K6D130 5kN/500Nm	K6D130 15kN/1.2kNm	K6D154 50N/5Nm	
Electrical Data	Characteristic value Fx	mV/V	0,8	0,8	0,8	0,8	0,56	
	Characteristic value Fy	mV/V	0,8	0,8	0,8	0,8	0,56	
	Characteristic value Fz	mV/V	0,6	0,5	0,8	0,9	0,32	
	Characteristic value Mx	mV/V	0,8	0,8	0,8	1	0,4	
	Characteristic value My	mV/V	0,8	0,8	0,8	1	0,4	
	Characteristic value Mz	mV/V	0,8	0,8	0,8	0,8	0,4	
	smallest display step with „GSV-1, GSV-6“ (noise amplitude)							
	Resolution Fx	N	1,0000	2,5000	1,2500	3,7500	0,0179	
	Resolution Fy	N	1,0000	2,5000	1,2500	3,7500	0,0179	
	Resolution Fz	N	3,3333	10,0000	3,7500	11,1111	0,0625	
	Resolution Mx	Nm	0,0625	0,1875	0,1250	0,2400	0,0025	
	Resolution My	Nm	0,0625	0,1875	0,1250	0,2400	0,0025	
	Resolution Mz	Nm	0,0625	0,1875	0,1250	0,3000	0,0025	
	smallest display step with „GSV-8“ (noise amplitude)							
	Resolution Fx	N	0,2000	0,5000	0,2500	0,7500	0,0036	
	Resolution Fy	N	0,2000	0,5000	0,2500	0,7500	0,0036	
	Resolution Fz	N	0,6667	2,0000	0,7500	2,2222	0,0125	
Resolution Mx	Nm	0,0125	0,0375	0,0250	0,0480	0,0005		
Resolution My	Nm	0,0125	0,0375	0,0250	0,0480	0,0005		
Resolution Mz	Nm	0,0125	0,0375	0,0250	0,0600	0,0005		
Characteristics	Origin		B; C	B; C	B; C	B; C	B	
	Temperature Compensation		ITC	ITC	ITC	ITC	Std; ITC;	
	Connection		CG; MP11	CG; MP11	CG; MP11	CG; MP11	M16	

Comparison Table 6-Axis Sensors

	Technical Data	Unit	K6D154 100N/10Nm	K6D154 200N/20Nm	K6D154 500N/50Nm	K6D175 10kN/1kNm	K6D175 20kN/2kNm
Sensor type	Design		FT Sensor	FT Sensor	FT Sensor	FT Sensor	FT Sensor
	Measuring principle		6x Strain Gauge Full Bridge	6x Strain Gauge Full Bridge	6x Strain Gauge Full Bridge	6x Strain Gauge Full Bridge	6x Strain Gauge Full Bridge
	Construction		6x pillar	6x pillar	6x pillar	6x pillar	6x pillar
	Material		al alloy	al alloy	al alloy	steel, 1.4542	steel, 1.4542
	Weight	kg	1,600	1,600	1,600		
Dimensions	Diameter	mm	154	154	154	175	175
	Height	mm	100	100	100	110	110
	Pitch circle	mm	132	132	132	164	164
Mechanical Data	Rated force Fx	N	100	200	500	10000	20000
	Rated force Fy	N	100	200	500	10000	20000
	Rated force Fz	N	200	500	1000	20000	50000
	Rated torque Mx	Nm	10	20	50	1000	2000
	Rated torque My	Nm	10	20	50	1000	2000
	Rated torque Mz	Nm	10	20	50	2000	5000
	Operating force Fx	N	400	800	2500	30000	60000
	Operating force Fy	N	400	800	2500	30000	60000
	Operating force Fz	N	1200	3000	7000	80000	200000
	Bending moment limit Mx	Nm	50	100	250	3000	6000
	Bending moment limit My	Nm	50	100	250	3000	6000
Torque limit Mz	Nm	50	100	250	6000	15000	

Comparison Table 6-Axis Sensors

	Technical Data	Unit	K6D154 100N/10Nm	K6D154 200N/20Nm	K6D154 500N/50Nm	K6D175 10kN/1kNm	K6D175 20kN/2kNm	
Electrical Data	Characteristic value Fx	mV/V	0,52	0,52	0,4	0,68	0,6	
	Characteristic value Fy	mV/V	0,52	0,52	0,4	0,68	0,6	
	Characteristic value Fz	mV/V	0,32	0,36	0,3	0,45	0,5	
	Characteristic value Mx	mV/V	0,44	0,44	0,4	0,64	0,6	
	Characteristic value My	mV/V	0,44	0,44	0,4	0,64	0,6	
	Characteristic value Mz	mV/V	0,4	0,4	0,4	0,64	0,6	
	smallest display step with „GSV-1, GSV-6“ (noise amplitude)							
	Resolution Fx	N	0,0385	0,0769	0,2500	2,9412	6,6667	
	Resolution Fy	N	0,0385	0,0769	0,2500	2,9412	6,6667	
	Resolution Fz	N	0,1250	0,2778	0,6667	8,8889	20,0000	
	Resolution Mx	Nm	0,0045	0,0091	0,0250	0,3125	0,6667	
	Resolution My	Nm	0,0045	0,0091	0,0250	0,3125	0,6667	
	Resolution Mz	Nm	0,0050	0,0100	0,0250	0,6250	1,6667	
	smallest display step with „GSV-8“ (noise amplitude)							
	Resolution Fx	N	0,0077	0,0154	0,0500	0,5882	1,3333	
	Resolution Fy	N	0,0077	0,0154	0,0500	0,5882	1,3333	
	Resolution Fz	N	0,0250	0,0556	0,1333	1,7778	4,0000	
	Resolution Mx	Nm	0,0009	0,0018	0,0050	0,0625	0,1333	
	Resolution My	Nm	0,0009	0,0018	0,0050	0,0625	0,1333	
Resolution Mz	Nm	0,0010	0,0020	0,0050	0,1250	0,3333		
Characteristics	Origin		B	B	B	B	B	
	Temperature Compensation		Std; ITC;	Std; ITC;	Std; ITC;	ITC;	ITC;	
	Connection		M16	M16	M16	M16	M16	

Comparison Table 6-Axis Sensors

	Technical Data	Unit	K6D175 50kN/5kNm
--	-----------------------	-------------	-----------------------------

Sensor type	Design		FT Sensor
	Measuring principle		6x Strain Gauge Full Bridge
	Construction		6x pillar
	Material		steel, 1.4542
	Weight	kg	

Dimensions	Diameter	mm	175
	Height	mm	110
	Pitch circle	mm	164

Mechanical Data	Rated force Fx	N	50000
	Rated force Fy	N	50000
	Rated force Fz	N	100000
	Rated torque Mx	Nm	5000
	Rated torque My	Nm	5000
	Rated torque Mz	Nm	10000
	Operating force Fx	N	150000
	Operating force Fy	N	150000
	Operating force Fz	N	400000
	Bending moment limit Mx	Nm	15000
	Bending moment limit My	Nm	15000
	Torque limit Mz	Nm	30000

Comparison Table 6-Axis Sensors

	Technical Data	Unit	K6D175 50kN/5kNm
--	----------------	------	---------------------

Electrical Data	Characteristic value Fx	mV/V	0,7
	Characteristic value Fy	mV/V	0,7
	Characteristic value Fz	mV/V	0,52
	Characteristic value Mx	mV/V	0,8
	Characteristic value My	mV/V	0,8
	Characteristic value Mz	mV/V	0,65

smallest display step with „GSV-1, GSV-6“ (noise amplitude)

Resolution Fx	N	14,2857
Resolution Fy	N	14,2857
Resolution Fz	N	38,4615
Resolution Mx	Nm	1,2500
Resolution My	Nm	1,2500
Resolution Mz	Nm	3,0769

smallest display step with „GSV-8“ (noise amplitude)

Resolution Fx	N	2,8571
Resolution Fy	N	2,8571
Resolution Fz	N	7,6923
Resolution Mx	Nm	0,2500
Resolution My	Nm	0,2500
Resolution Mz	Nm	0,6154

Characteristics	Origin		B
	Temperature Compensation		ITC
	Connection		M16

Comparison Table 6-Axis Sensors

Characteristic	Abbreviation	Meaning
Origin	A	Origin in the center of the sensor (only for K6D68); During the calibration, the forces Fx, Fy, Fz are introduced in such way that their lines of action intersect at the center of the sensor.
	B	The origin of the coordinate system is located outside the sensor in the level of the bearing surface and in the center of the centering collar. Method B is the standard calibration. An engraving with the coordinate axes is provided to displace the height of the centering collar.
	C	The origin of the coordinate system is displaced outside the sensor, on the central axis of the sensor (z-axis). A calibration, which largely corresponds to the installation situation, allows measurement errors to be reduced by means of crosstalk. For the sensors K6D68, K6D80, K6D110, K6D130 a calibration is possible at a distance of 140mm from the surface (with reduced forces).
Temperature compensation	Std	Standard temperature compensation, especially for miniature sensors K6D27, K6D40. The drift of the calibration factors is approx. +0.07% RD/°C for sensors made of aluminum and +0.02% RD/°C for sensors made of steel. In the temperature range of 20°C ±10°C, the drift of the calibration factors is ±0.7% RD (of the actual value) for sensors made of aluminum and ±0.2% RD (of the actual value) for those of steel. The zero signal of the sensors in the unloaded state is in the range of ±1.5 mV/V. The zero signal in the unloaded state is adjusted by the evaluation electronics. The drift of the zero signal is ±0.1% FS/°C.
	ITC	Optional temperature compensation for K6D68 and K6D154 and included temperature compensation for K6D80, K6D110, K6D130, K6D175. The drift of the calibration factors is approx. ±0.005% RD/°C. The zero signal of the sensors in the unloaded state is in the range of -0.05 mV/V to +0.05 mV/V. The drift of the zero signal is approx. ±0.01% FS/°C.

Comparison Table 6-Axis Sensors

Connection	CG	<p>Cable gland. The sensor is supplied with a 5m connection cable. Für den Anschluss an den Messverstärker GSV-8DS SubD44HD wird eine Ausführung mit werkseitig konfektioniertem Sub-D44 HD Steckverbinder empfohlen. For the connection with the measuring amplifier GSV-8DS SubD44HD an implementation with a factory assembled Sub-D44 HD plug connector is recommended. For the connection with the measuring amplifier GSV-8AS (or GSV-1A8USB M16/K6D) an implementation with factory assembled M16-round plug connector is recommended.</p>
	MP11	<p>Extremely robust 24-pole connector in IP68 version by Fischer. In the sensor optionally integrated with the sensors F6D, K6D80, K6D110, K6D130. Connection cable, 5m, MP11 (f) to the sensor, Sub-D44 HD (m) to the GSV-8DS Sub-D44HD (ME Art.: SO044) DE: http://www.fischerconnectors.com/germany/de/produkte/minimax US: http://www.fischerconnectors.com/us/en/products/minimax</p>
	M16	<p>24-pole round plug connector, integrated in the K6D154 and K6D175 sensors Connection sensor-measuring amplifier: connection cable, 5m, M16 (f) to the sensor, Sub-D44HD (m) to the GSV-8DS SubD44HD (ME Art.: SO045); connection cable, 5m, M16 (f) to the sensor, M16 (m) to the GSV-8AS or GSV-1A8USB M16/K6D (ME Art.: SO040); Round plug connector (f) to the sensor: M16 angled socket, 24-pole, female, D=6-8mm binder-Art.:99 5696 75 24 or M16-cable socket, 24-pole, female, D=4-6mm, binder-Art.:99 5496 15 24, or M16-cable socket, 24-pole, female, D=6-8mm binder-Art.:99 5696 15 24 Round plug connector (m) to the measuring amplifier: Binder-Art.:99 5495 00 24 for cable diameter 4...6mm or Binder-Art.:99 5695 00 24 for cable diameter 6...8mm Built-in socket (f) in the measuring amplifier: Binder-Art.: 09-0498-80-24, series 723, 24pole; assembled with single strands 24x 0,14 120mm (ME Art.:7944) Built-in socket (m) in sensor: Binder-Art.: 09-0497-00-24, series 723, 24pole; with single strands 24x0,027 (ME Art.: 5135) DE: https://www.binder-connector.de/de/produkte/miniatur-steckverbinder/m-16-steckverbinder-ip-67/ US: https://www.binder-connector.com/en/products/miniature-circular-connectors/m16-ip67/</p>
	M12	<p>Robust 5-pole round plug connector, integrated with the sensors F6D100-50e and F6D80-40e; Connection Sensor-Windows-PC with GSVmulti: Connection cable „Extension 5p/f/M12/5p/m/M12/5,0 (ME Art: 5625), Phoenix-Art:1536120 + F6D-CAN-Adapter + PCAN-USB-Adapter</p>

Comparison Table 6-Axis Sensors

Fig. 1: Origin of the Coordinate System

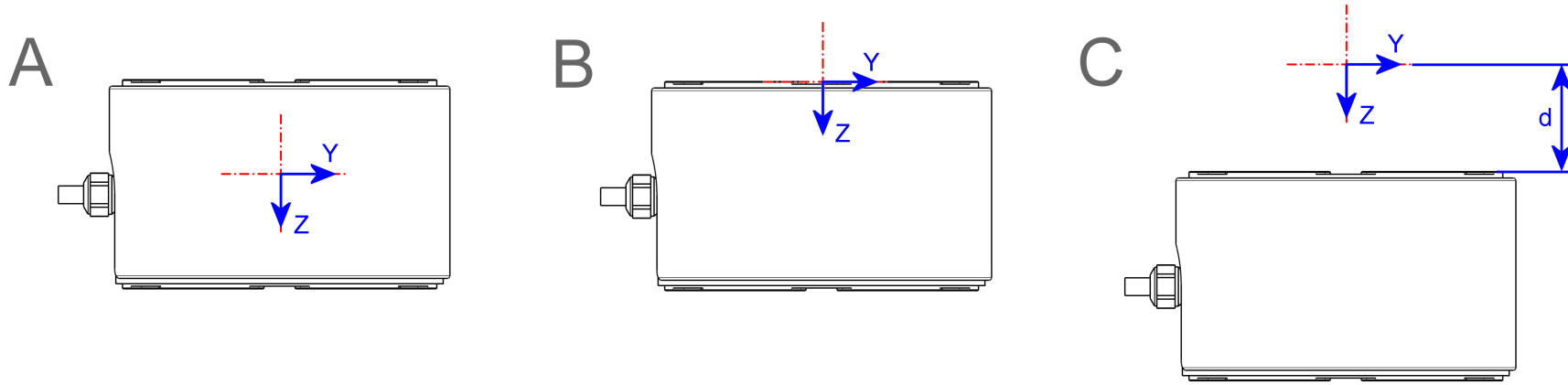
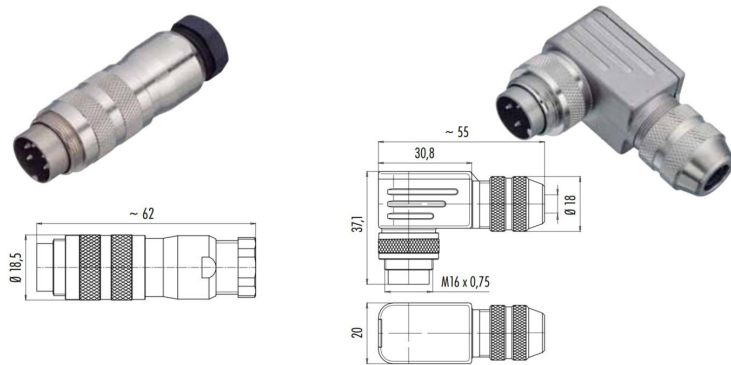


Fig. 2: Round Plug Binder M16 and Fischer MP11



STRAIGHT OVERMOLDING

RIGHT-ANGLE OVERMOLDING

