

# MONTAGEANLEITUNG ASSEMBLY INSTRUCTIONS

D

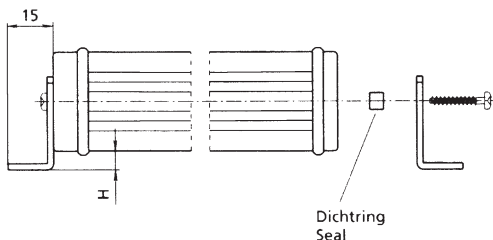
GB



**BOPLA**

A Phoenix Mecano Company

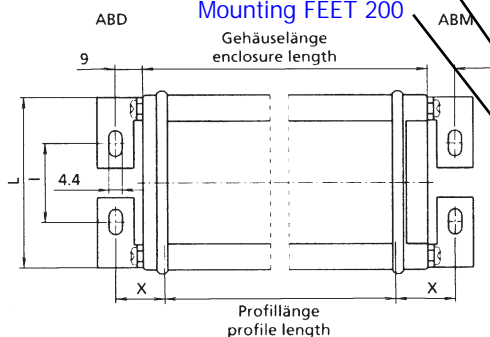
## ALUBOS-Wandlaschen AB-WL ALUBOS wall brackets AB-WL



Verwendete Deckel Lids used	Dichtringlänge Seal length	Schraubenlänge Screw length
ABD 600	4,5	18
ABD 800	4,5	18
ABD 820	4,5	18
ABD 1000	4,5	18
ABD 1040	4,5	18
ABD 1300	7,5	22
ABD 1600	7,5	22
ABD 1680	7,5	22
ABD 2070	7,5	22
ABM 600	4,5	22
ABM 800	4,5	22
ABM 1000	4,5	22
ABM 1040	7,5	22
ABM 1300	7,5	22

Mounting FEET 100

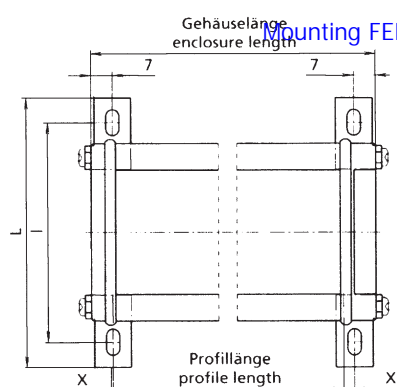
Mounting FEET 200



Verwendete Deckel Lids used	L	I	X	H
ABD 600	55	25	16	6,0
ABD 800	55	50	16	6,0
<b>ABD 820</b>	<b>80</b>	<b>50</b>	<b>16</b>	<b>6,0</b>
ABD 1000	80	74	16	6,0
ABD 1040	104	75	16	6,0
<b>ABD 1300</b>	<b>105</b>	<b>105</b>	<b>19</b>	<b>5,0</b>
ABD 1600	163	127	19	8,1
ABD 1680	162	122	19	6,0
ABD 2070	203	163	19	6,0
ABM 600	55	25	19	6,0
ABM 800	80	50	19	6,0
ABM 1000	104	74	19	6,0
ABM 1040	105	75	20	6,0
ABM 1300	135	105	20	5,0

Mounting FEET 100

Mounting FEET 200



Verwendete Deckel Lids used	L	I	X	H
ABD 600	87	70	0	6,0
ABD 800	112	95	0	6,0
<b>ABD 820</b>	<b>112</b>	<b>95</b>	<b>0</b>	<b>6,0</b>
ABD 1000	136	119	0	6,0
ABD 1040	135	119	0	6,0
<b>ABD 1300</b>	<b>166</b>	<b>149</b>	<b>3</b>	<b>5,0</b>
ABD 1600	199	183	3	8,1
ABD 1680	198	182	3	6,0
ABD 2070	239	223	3	6,0
ABM 600	87	70	3	6,0
ABM 800	112	95	3	6,0
ABM 1000	136	119	3	6,0
ABM 1040	135	119	4	6,0
ABM 1300	166	149	4	5,0

Maße in mm, all Dimensions = mm