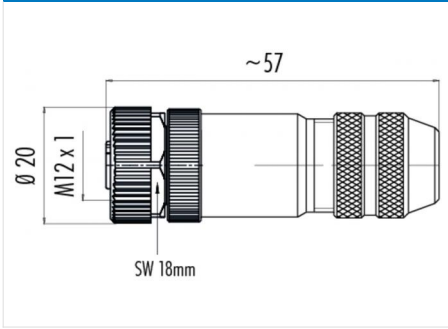


Product	<b>Contacts: 5, cable outlet: 4-6 mm, female cable connector, shieldable, screw terminal connection, static ring version with die-cast threaded ring, UL approval</b>
Area	<b>M12-A Series 713</b>
Article number	<b>99 1436 814 05</b>

**Illustration**



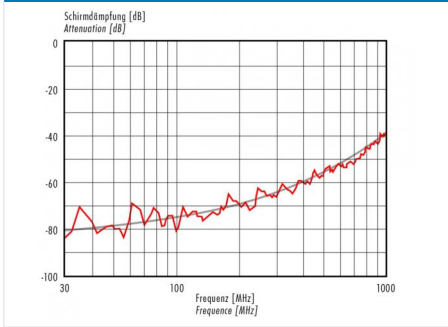
**Scale drawing**



**Contact Arrangement**

	X	Y
1	-2,50	0,00
2	0,00	2,50
3	2,50	0,00
4	0,00	-2,50
5	0,00	0,00

**Attenuation characteristic**



**You can find the item description and assembly instruction on the next page.**

**Technical data**

**General features**

Connector Design	Female cable connector
Connector locking system	bolted screw
Termination	0,75 mm <sup>2</sup>
Wire gauge (mm)	18
Wire gauge (AWG)	4 – 6 mm
Cable outlet	85 °C
Upper temperature	-40 °C
Lower temperature	

**Cable data**

Approval 1	UL
------------	----

**Electrical parameters**

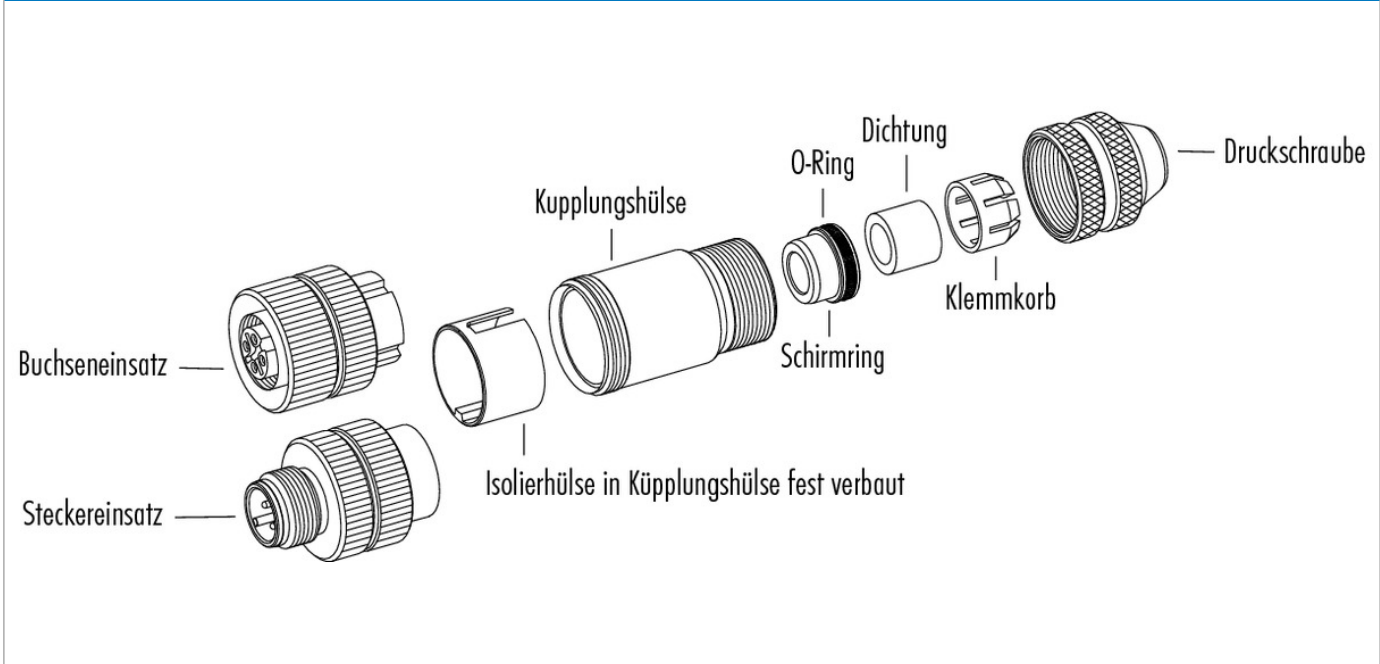
Rated voltage	60 V
Rated impulse voltage	1500 V
Pollution degree	3
Overvoltage category	II
Material group	II
Rated current (40°C)	4 A
Volume resistivity	≤ 3 mΩ
EMV compliance	shieldable
Degree of protection	IP67
Mechanical operation	> 100 Mating cycles

**Material**

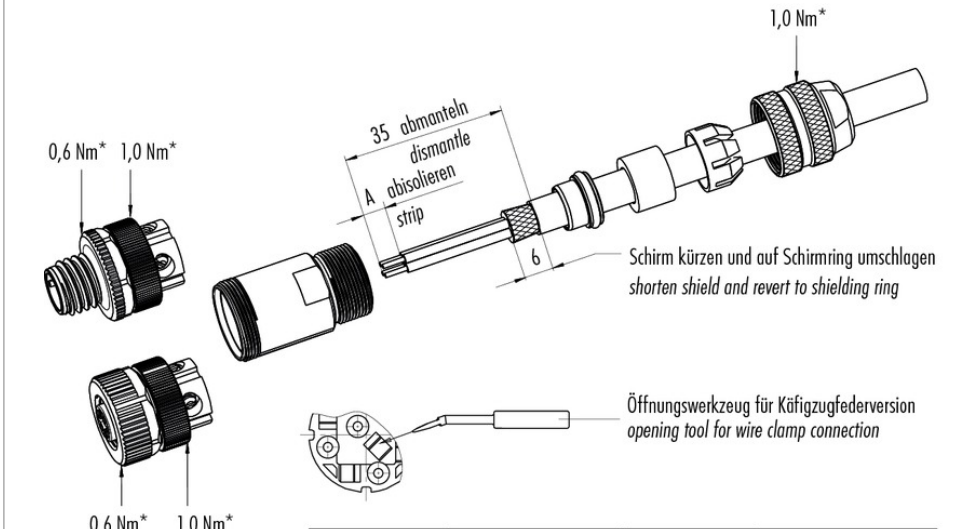
Material of contact	CuZn (Messing)
Contact plating	Au (gold)
Material of contact body	PA

Product	<b>Contacts: 5, cable outlet: 4-6 mm, female cable connector, shieldable, screw terminal connection, static ring version with die-cast threaded ring, UL approval</b>
Area	<b>M12-A Series 713</b>
Article number	<b>99 1436 814 05</b>

**Item description**



**Installation instructions / Mounting cutout**



1. Teile auffädeln.
2. Abisolieren, Schirm kürzen und auf Schirmring umschlagen.
3. Litzen durch Gehäuse fädeln, Schirmring, Dichttring, Klemmkorb montieren. Druckschraube andrehen, um das Kabel zu fixieren. Litzen anschrauben.
4. Gehäuse mit Stecker- bzw. Buchseneinsatz verschrauben und Druckschraube festdrehen.

1. Bead parts.
2. Strip single cores, shorten shielding braid and revert to shielding ring.
3. Thread single wires through housing, mount shielding ring, seal and pinch ring. Turn on pressing screw to fix the cable. Screw on single wires.
4. Screw housing to male or female contact insert and fix pressing screw.

	Schraubklemmversion screw connection	Lötversion solder version	Käfigzugfederversion wire clamp connection
Maß A/mm measure A/mm	<b>4</b>	<b>3,5</b>	<b>7</b>

\* Empfohlenes Anzugsdrehmoment  
Recommended tightening moment