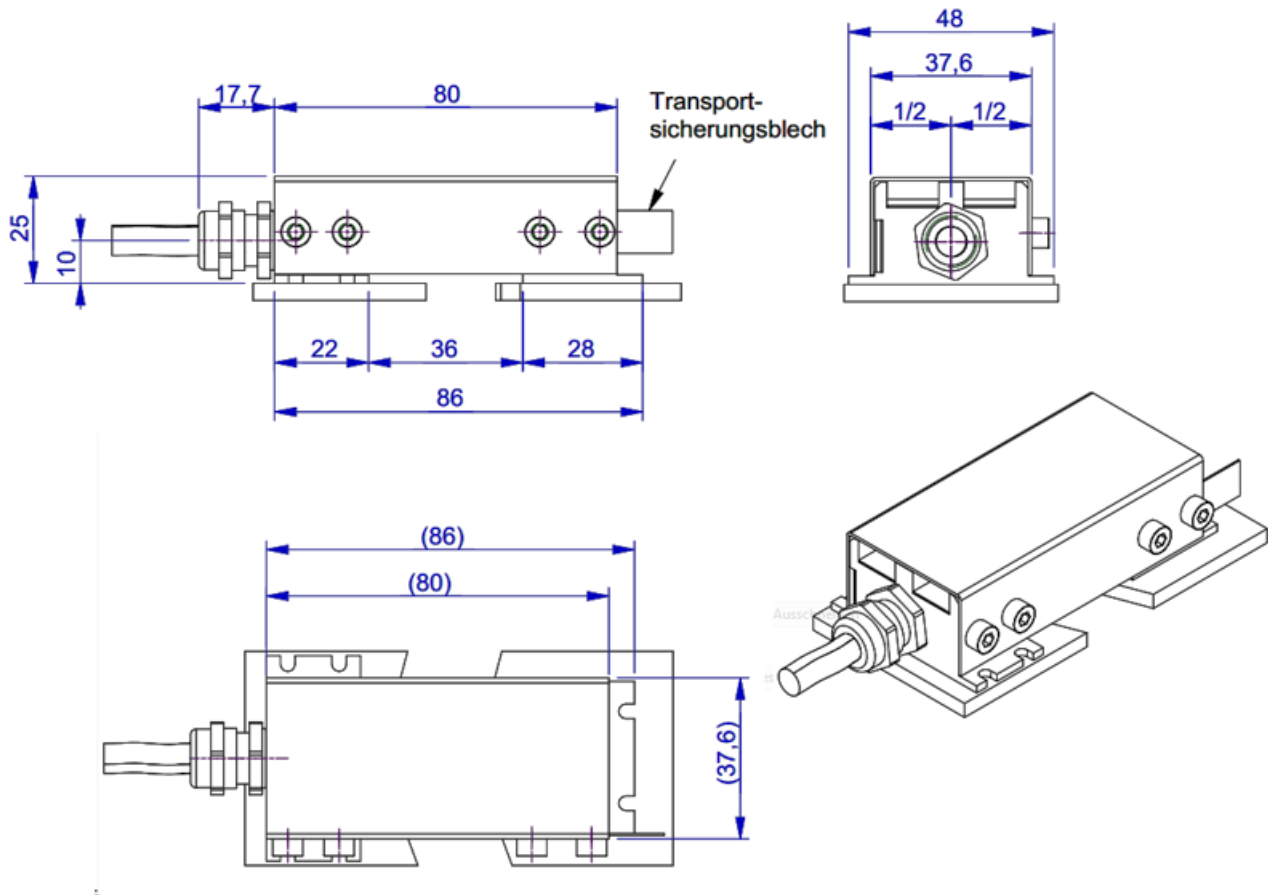


CS96 ±5mm



Description

Dimensions



Technical Data

Basis Data

Type	Wegsensor
Nominal displacement	5 mm
Operating displacement	150 %

Electrical Data

Input resistance	350 Ohm
Tolerance input resistance	10 ±
Output resistance	350 Ohm
Tolerance output resistance	10 ±
Insulation resistance	5x10 ⁹ Ohm
Rated range of excitation voltage f	2.5 ... 5 V
Operating range of excitation voltage f	1 ... 5 V
Zero signal	0.5 mV/V
Rated output	1 mV/V / FS

Precision

Relative linearity error	1 %FS
Relative zero signal hysteresis	1 %FS
Temperature effect on zero signal	0.1 %FS/K
Temperature effect on characteristic value	0.05 %RD/K
Relative creep	0.05 %FS

Temperature

Rated temperature range f	10 ... 65 °C
Operating temperature range f	-25 ... 85 °C
Storage temperature range to	50 °C
Environmental protection	IP64