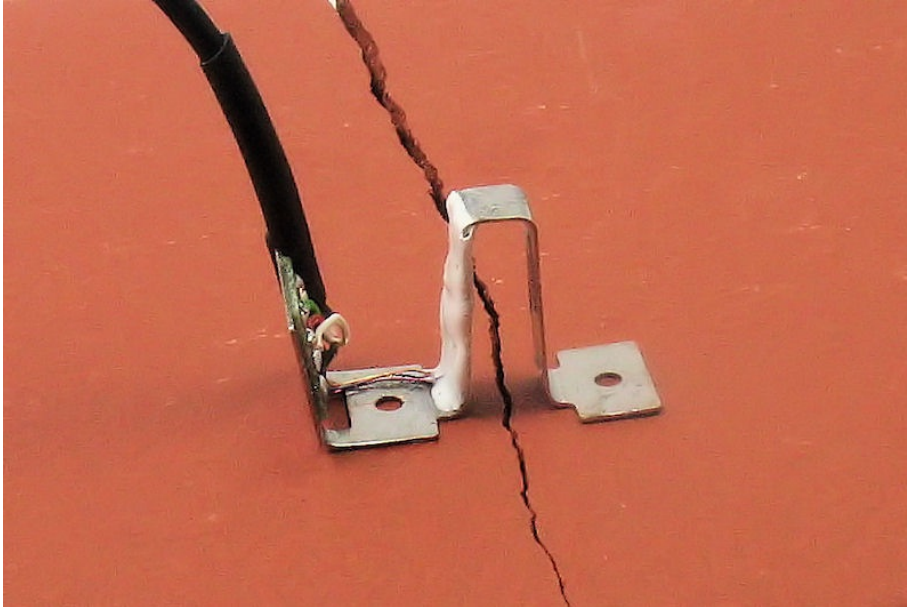


## CS05 0,5mm

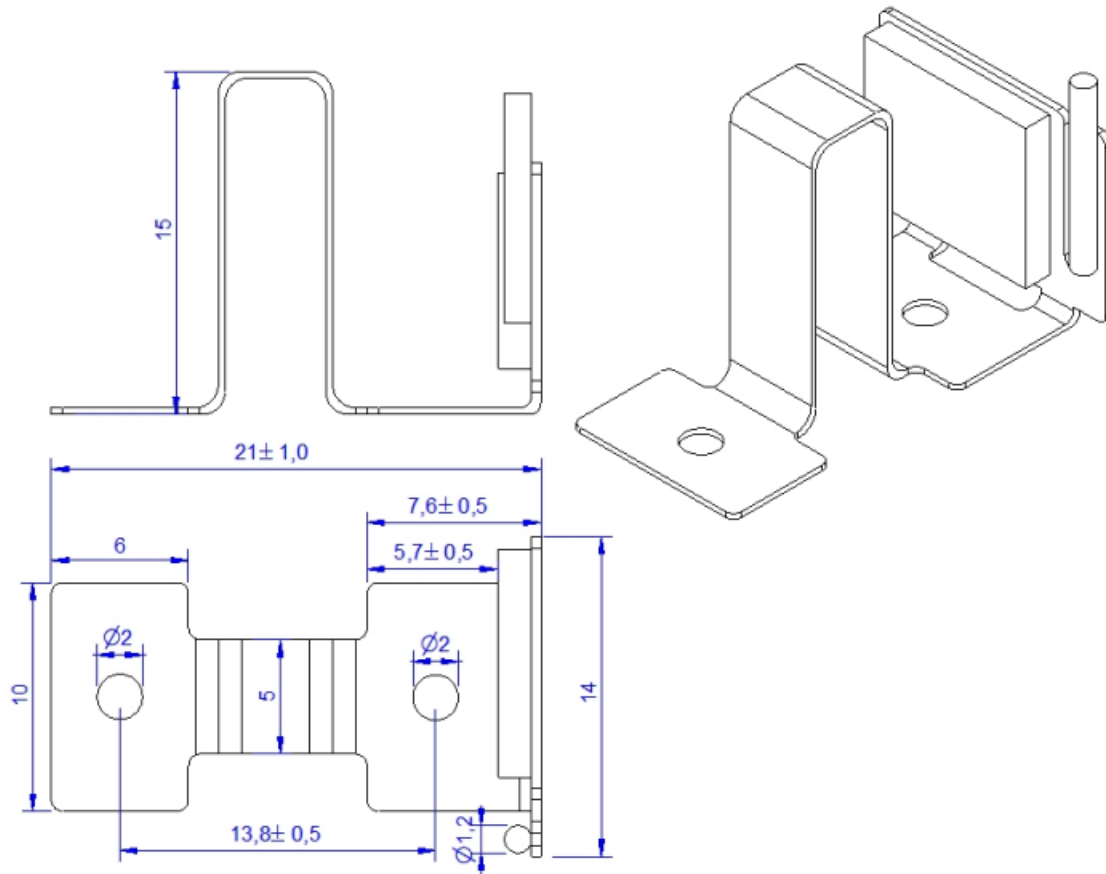


### Description

Crack propagation sensor in ultraminiature design. Applications: crack monitoring in listed buildings, monitoring of welding seams of machines, measurement of displacement and deformation on containers, tanks and components.

Due to the small weight the crack propagation sensor CS05 is suitable for deformation measurements with crash tests.

## Dimensions



## Technical Data

### Basis Data

Type	Wegsensor
Nominal displacement	0.5 mm
Operating displacement	1 mm
Maximum displacement	1.5 mm
Material	Stainless steel

### Electrical Data

Input resistance	350 Ohm
Tolerance input resistance	10 ±
Output resistance	350 Ohm
Tolerance output resistance	10 ±
Insulation resistance	5x10 <sup>9</sup> Ohm
Rated range of excitation voltage f	2.5 ... 5 V
Operating range of excitation voltage f	1 ... 5 V
Zero signal	0.5 mV/V
Rated output	1 mV/V / FS

### Precision

Relative linearity error	1 %Fn
Relative zero signal hysteresis	1 %Fn
Temperature effect on zero signal	0.5 %Fn/K
Temperature effect on characteristic value	0.05 %Sn/K
Relative creep	0.05 %Fn

### Connection Data

Connection type	4 conductor open
Name of the connection	STC-36T-4
Cable length	3 m

### Temperature

Rated temperature range f	10 ... 30 °C
Operating temperature range to	50 °C
Storage temperature range to	50 °C



## Pin Configuration

Symbol	Description	Wire colour
+Us	positive bridge supply	red
-Us	negative bridge supply	black
+Ud	positive bridge output	green
-Ud	negative bridge output	white

*Screen - transparent.*

*Pressure load : positive output signal*