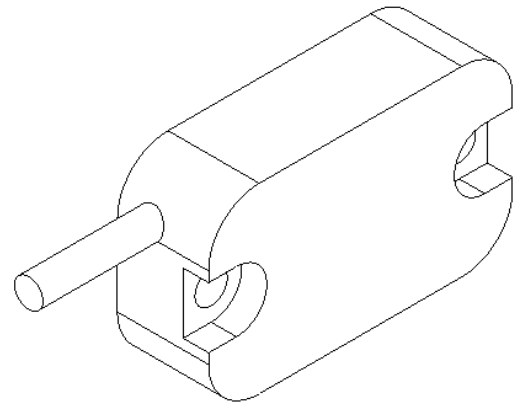
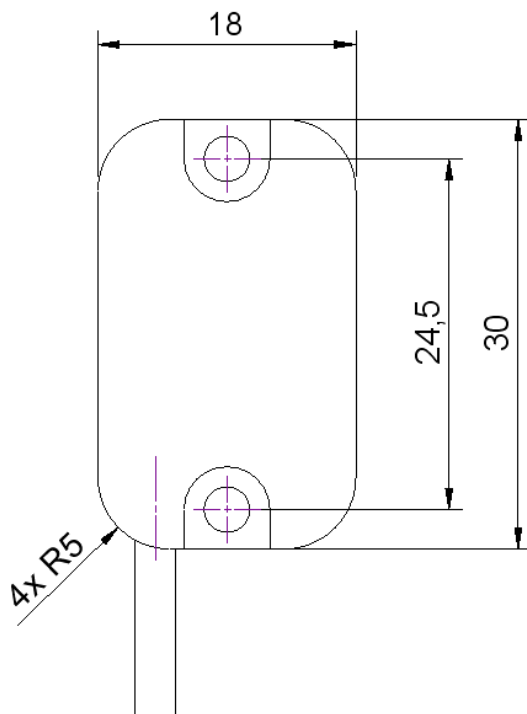
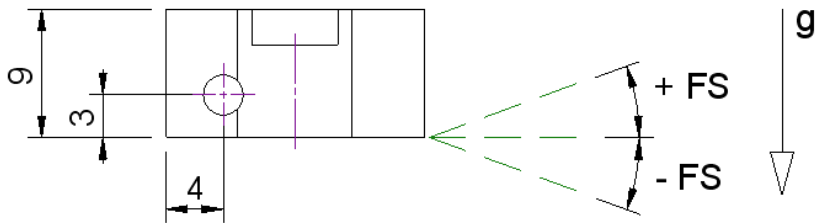


IS28 ± 15 Degree, ± 30 Degree



Description

Dimensions





Technical Data

Basis Data

Type	Inclination sensor
Maximum acceleration	20000 g
Limit frequency	10 Hz
Material	Aluminium alloy

Elektrische Daten

Characteristic value differential	840 mV/V/FS
Offset of +U _d and -U _d at 0 degree	+U _s /2 V
Minimum resistive load against GND	10 kOhm
Maximum capacitive load against GND	20 nF
Rated range of excitation voltage f	4.75 ... 5 V
Operating range of excitation voltage f	4.75 ... 5.25 V
Current consumption	5 mA

Precision

Accuracy class	0,5%
Relative linearity error	0.4 %RD
Temperature effect on zero signal	0.02 %FS/°C
Temperature effect on characteristic value	0.013 %RD/°C
Cross-sensitivity	4 %FS
Long-term stability	0.004 Grad

Connection Data

Connection type	4 conductor open
Name of the connection	STC-31V-4
Cable length	3 m

Temperature

Rated temperature range f	-25 ... 85 °C
Operating temperature range f	-40 ... 120 °C
Storage temperature range f	-55 ... 125 °C



Pin Configuration

Channel	Symbol	Description	Wire colour
	+Us	positive bridge supply	red
	-Us	negative bridge supply	black
	+Ud	positive bridge output	green
	-Ud	negative bridge output	white

*Pressure load: positive output signal.
Shield- transparent.*