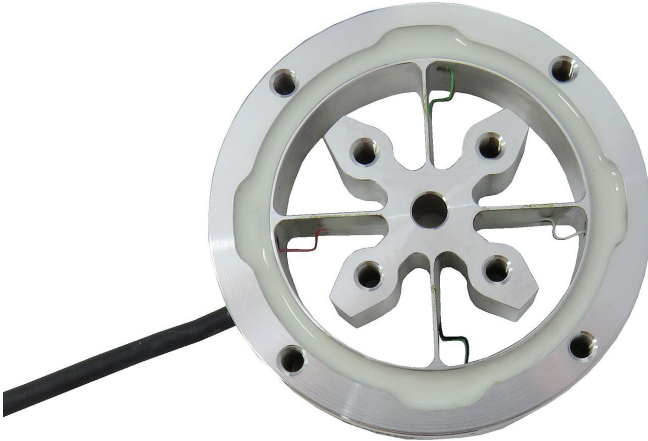
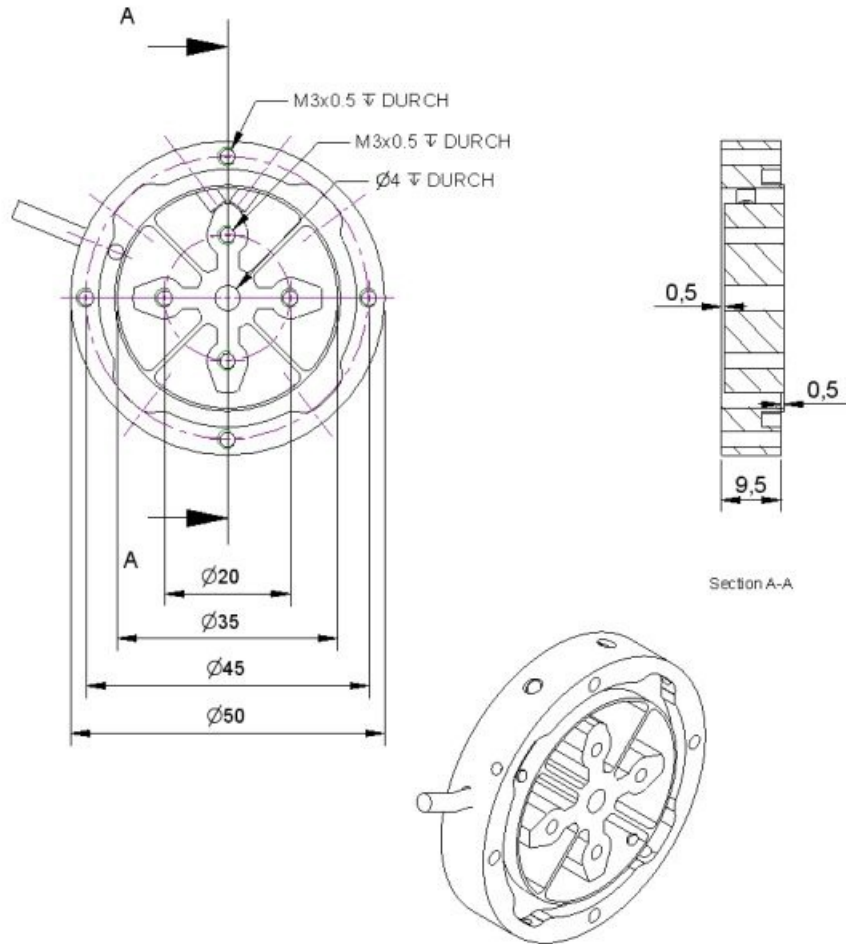


TD50 $\pm 150\text{mNm}$, $\pm 300\text{mNm}$, $\pm 500\text{mNm}$



Description

Dimensions



Technical Data

Basis Data

Type	bending spring
Bending moment limit	3 Nm
Maximum operating torque	150 %FS
Breaking torque	400 %FS
Rated torsion angle	0.7 °/FS
Axial force limit	50 N
Lateral force limit	50 N
Torque introduction	pitch circle
Dimension 1	Ø20
drehmomentausleitung	pitch circle
Dimension 2	Ø45
Diameter	50 mm
laenge	10 mm
Material	Aluminium alloy

Elektrische Daten

Input resistance	350 Ohm
Tolerance input resistance	20 Ohm
Output resistance	350 Ohm
Insulation resistance	2 GOhm
Rated range of excitation voltage f	2.5 ... 5 V
Operating range of excitation voltage f	1 ... 5 V
Zero signal	0.1 mV/V
characteristic value range min	0.5 mV/V / FS
characteristic value range max	1.1 mV/V / FS
relative error of characteristic value	12 mV/V / FS

Precision

Accuracy class	0,2%
Relative linearity error	0.1 %FS
Relative zero signal hysteresis	0.1 %FS
Temperature effect on zero signal	0.1 %FS/K
Temperature effect on characteristic value	0.1 %RD/K
Relative creep	0.05 %FS

Connection Data

Connection type	4 conductor open
Name of the connection	STC-31V-4
Cable length	2 m

Temperature

Rated temperature range f	-20 ... 60 °C
Operating temperature range f	-20 ... 70 °C
Storage temperature range f	-20 ... 70 °C

ME-Meßsysteme GmbH
Neuendorfstr. 18a
DE-16761 Hennigsdorf

Tel +49 (0)3302 8982 4 60
Fax +49 (0)3302 8982 4 69

Mail info@me-systeme.de
Web www.me-systeme.de







Pin Configuration

Symbol	Description	Wire colour
+Us	positive bridge supply	red
-Us	negative bridge supply	black
+Ud	positive bridge output	green
-Ud	negative bridge output	white

*Pressure load: positive output signal.
Shield- transparent.*

accessories

Description	Description	
	Factory calibration certificate Nm/50/5	Detection of the characteristic value and the traceability to DKD torque device
	Factory calibration certificate Nm/50/5/System	Proof of the characteristic value and the traceability on DAkkS torque device, including system calibration