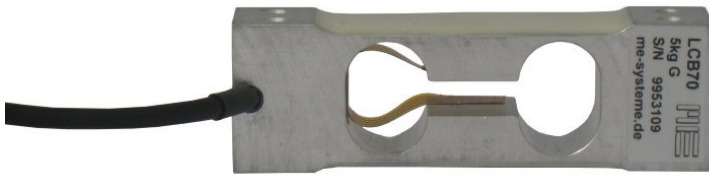
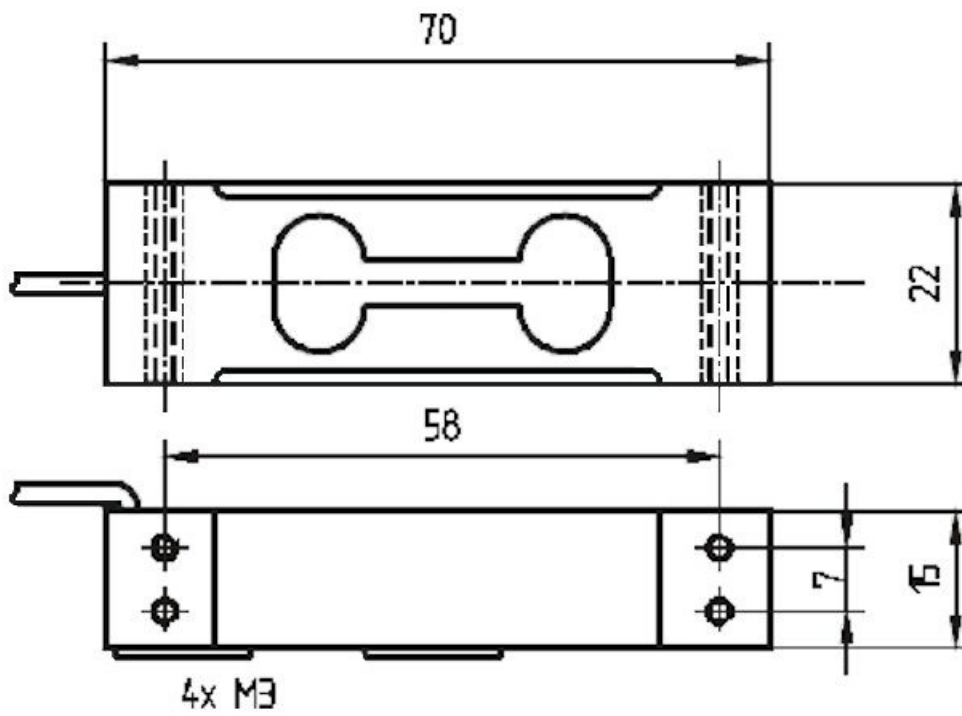


## LCB70 2kg, 5kg



## Description

### Dimensions



## Technical Data

### Electrical Data

Input resistance	400 Ohm
Tolerance input resistance	20 Ohm
Output resistance	350 Ohm
Tolerance output resistance	3.5 Ohm
Insulation resistance	2 GOhm
Rated range of excitation voltage f	2.5 ... 5 V
Operating range of excitation voltage f	1 ... 10 V
Zero signal	10 %Fs
Rated output	2 mV/V
relative error of characteristic value	0.1 mV/V

### Precision

Accuracy class	0,1%
Temperature effect on zero signal	0.1 % Fs / 10°C
Temperature effect on characteristic value	0.03 % Rd / 10°C
Relative creep	0.05 %Rd

### Connection Data

Connection type	4 conductor open
Cable length	0.4 m

### Temperature

Rated temperature range f	-10 ... 40 °C
Operating temperature range f	-30 ... 70 °C
Storage temperature range f	-30 ... 70 °C
Environmental protection	IP66

### Force sensor

Type	load cell
Force direction	Compression
Material	Aluminium alloy
Breaking force	300 %Fs






## Pin Configuration

Symbol	Description	Wire colour
+Us	positive bridge supply	green
-Us	negative bridge supply	black
+Ud	positive bridge output	red
-Ud	negative bridge output	white

*Shield- transparent.*

## accessories

	Description	Description
	GSV-15KL4	Junction box with measuring amplifier for sensors with straingages. Analogue output $\pm 10$ Volt and 4...20 mA configurable.
	KL4 CG	clamping box for parallel connection of 4 sensors, dimensions: 175mm x105mm x 60mm, 4xPG9, 7-pole
	KL4 M12	clamping box for parallel connection of 4 sensors, dimensions: 175mm x105mm x 60mm, 4xM12 female, 1xM12 male