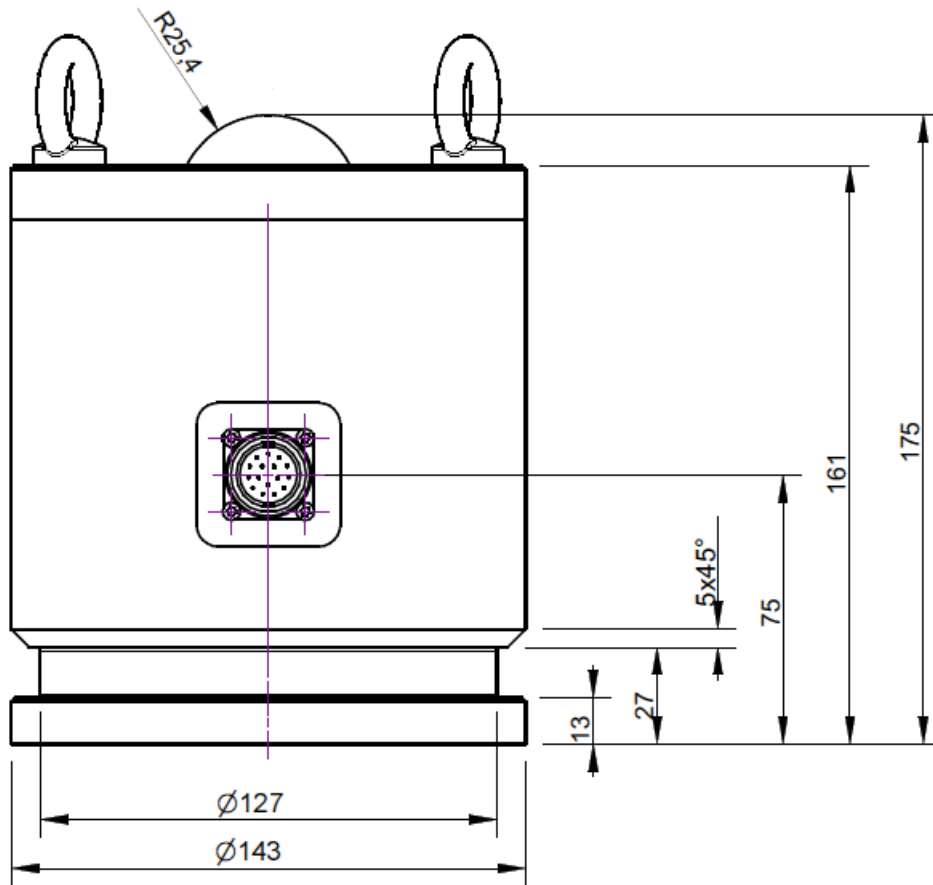


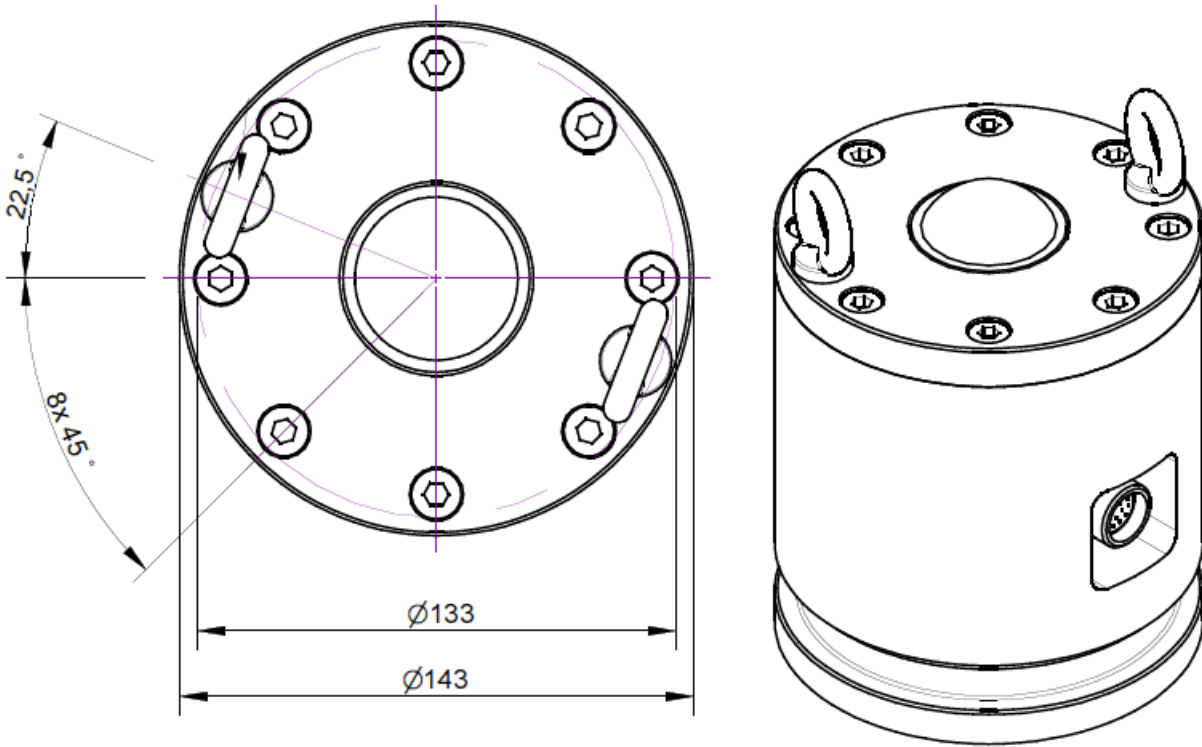
KA224 100kN, 250kN, 630kN, 1MN

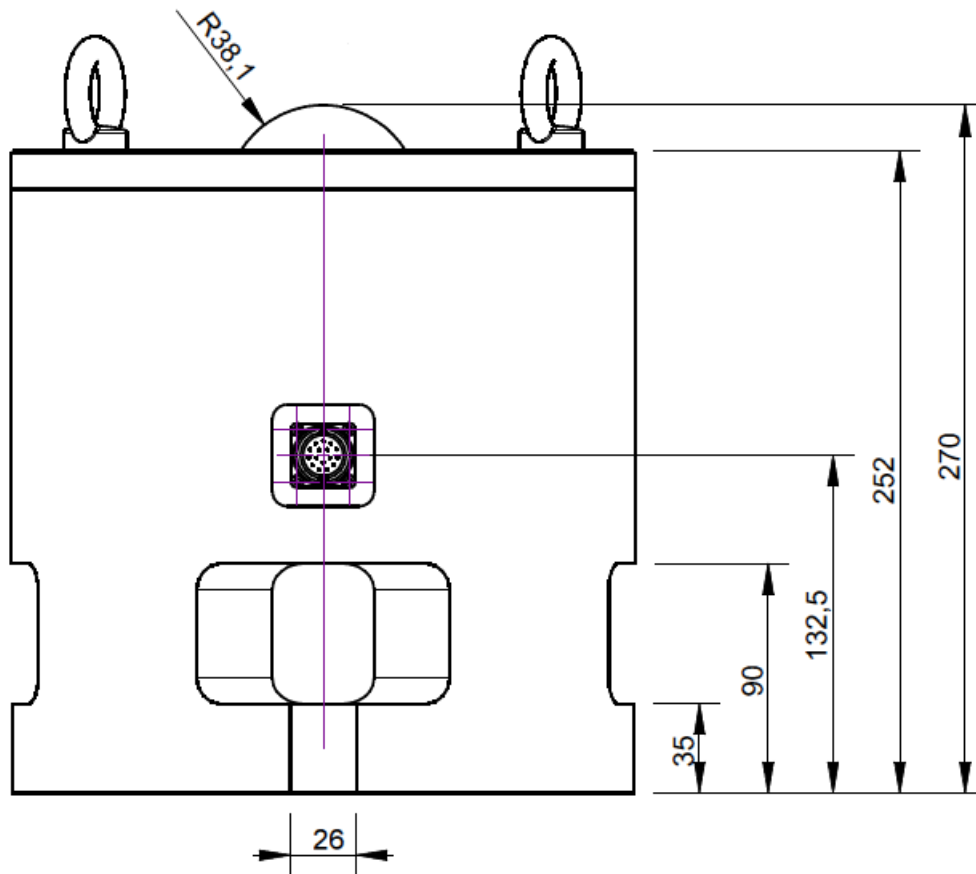


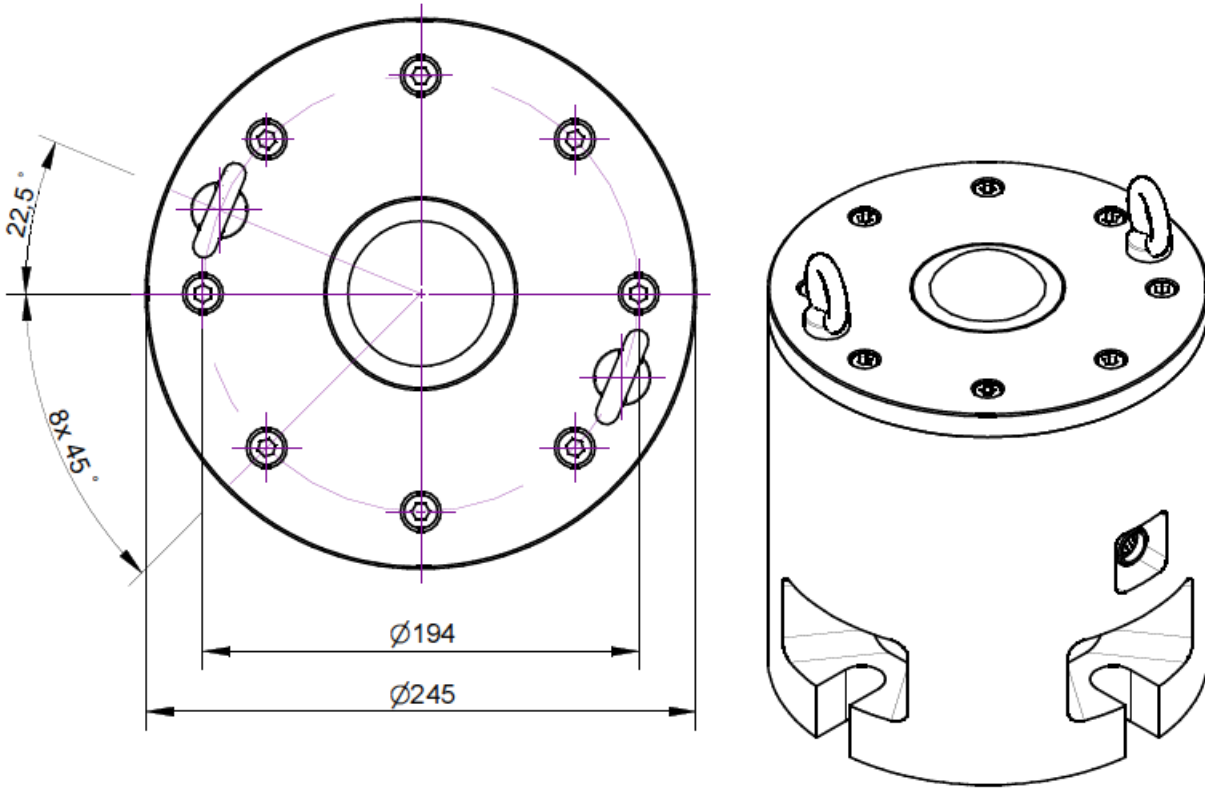
Description

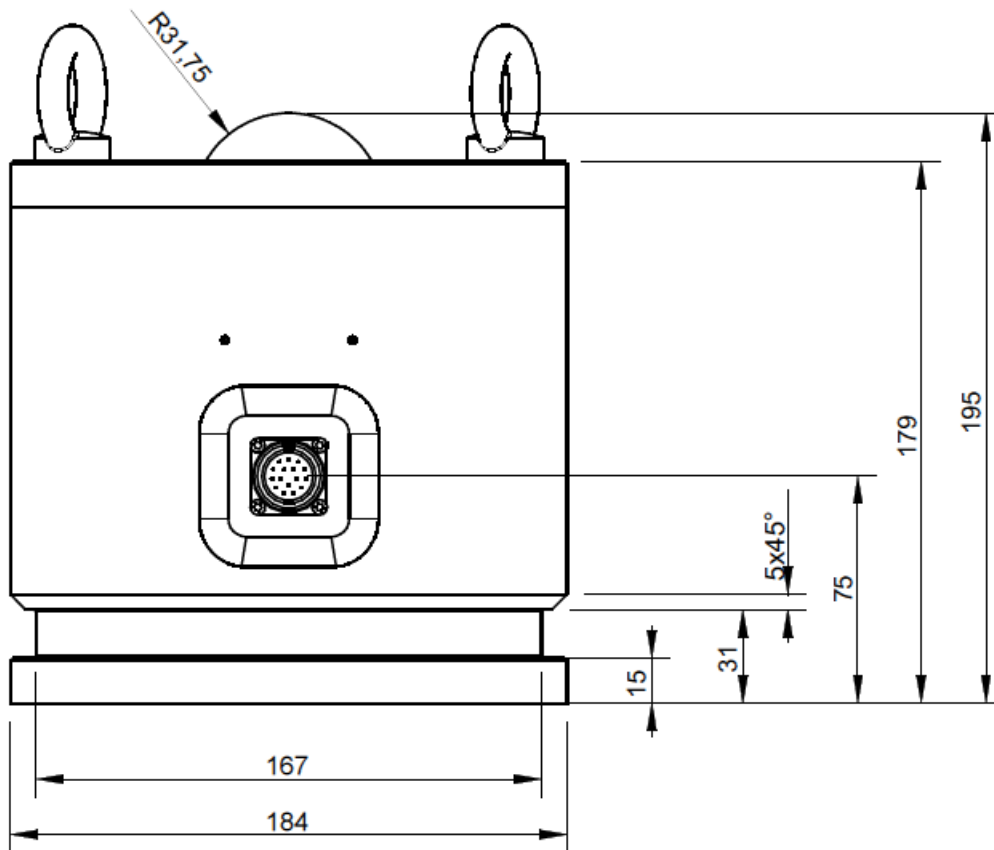
Dimensions

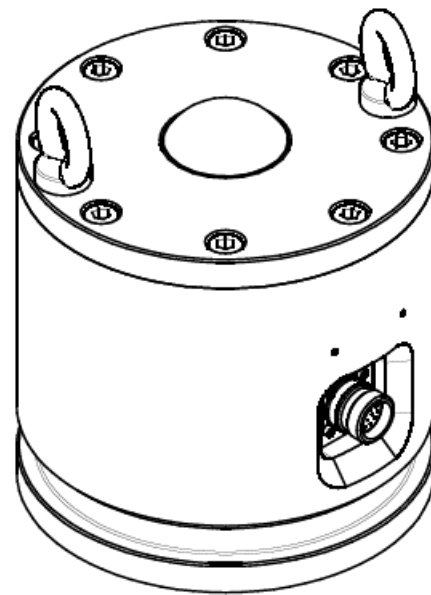
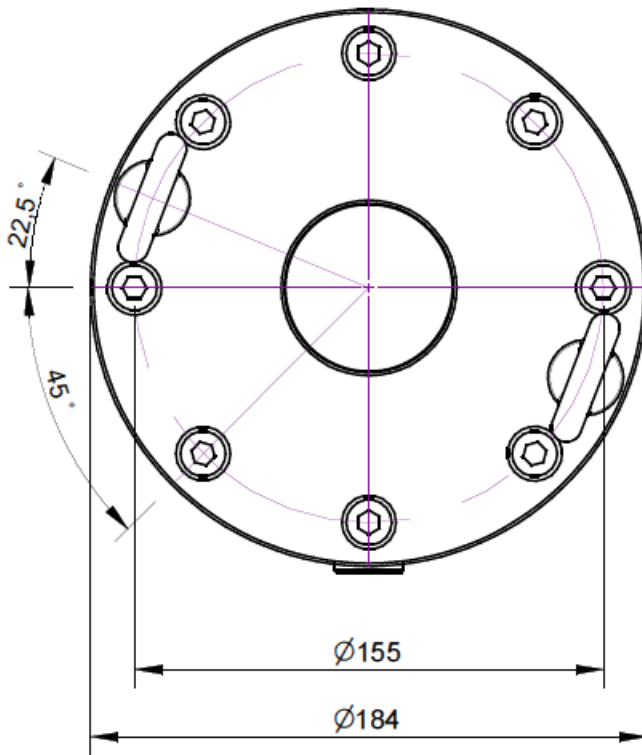


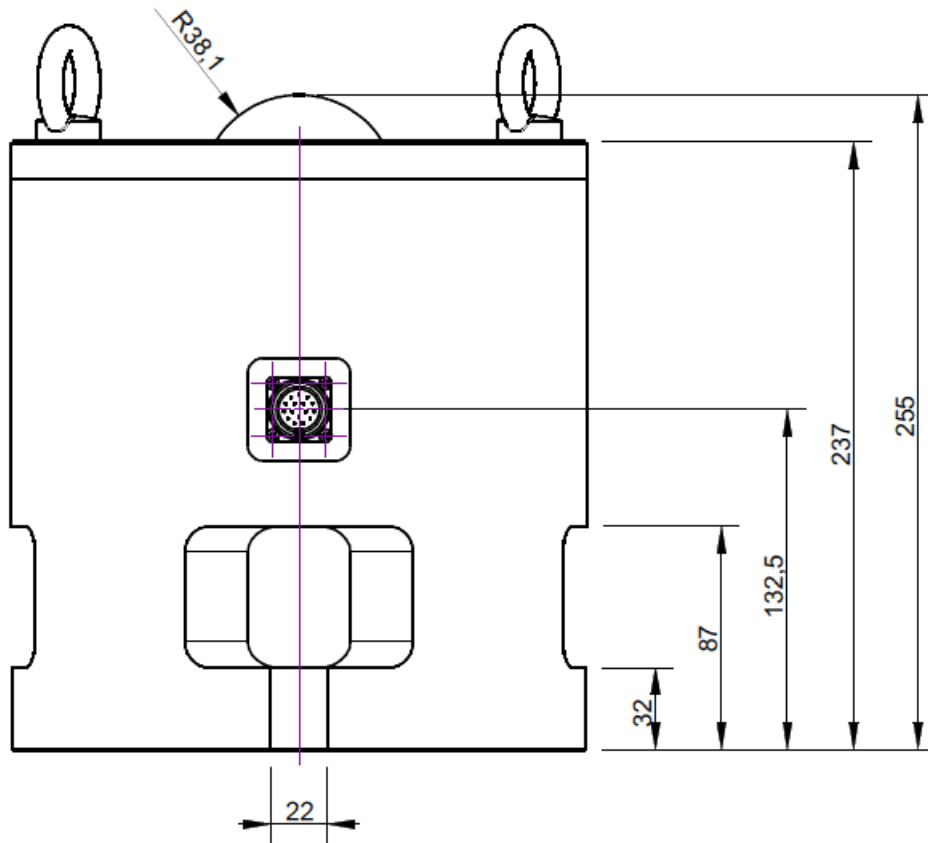


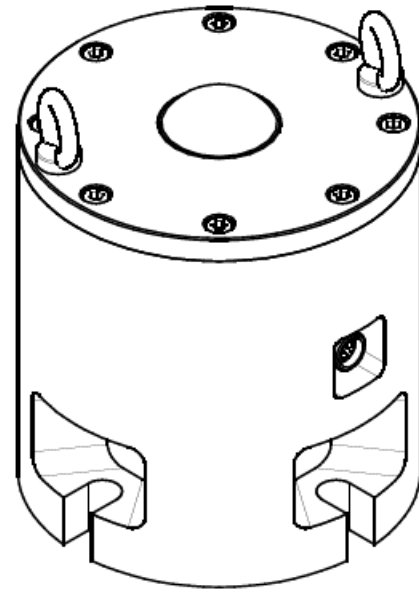
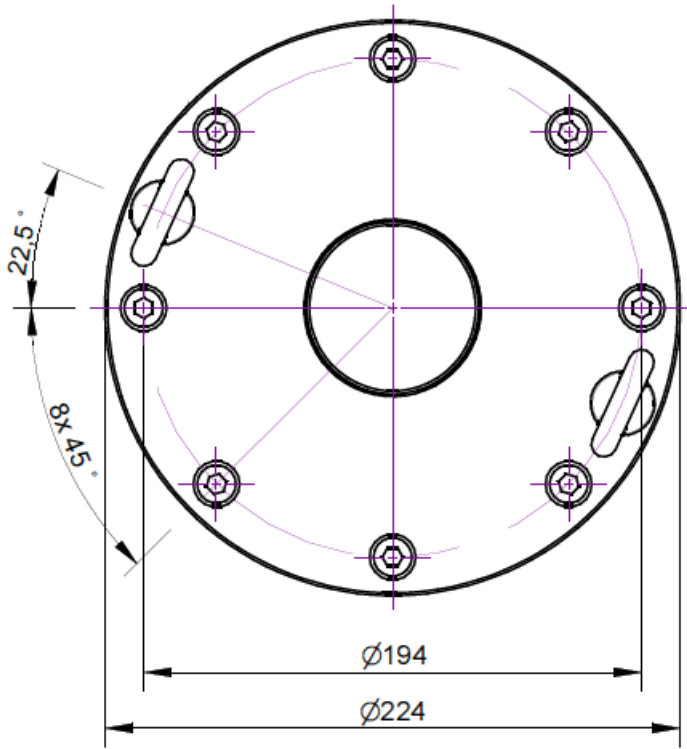












Technical Data

Force sensor

Type	Force sensor
Force direction	Compression
Force introduction	Load button
Dimension 1	R31,75
Sensor Fastening	Fläche
Dimension 2	Ø143
Operating force	150 %FS
Lateral force limit	100 %FS
Material	Tool steel
Surface	electrogalvanized

Electrical Data

Input resistance	800 Ohm
Tolerance input resistance	100 Ohm
Output resistance	700 Ohm
Tolerance output resistance	10 Ohm
Insulation resistance	5 GOhm
Rated range of excitation voltage f	2.5 ... 5 V
Operating range of excitation voltage f	1 ... 10 V
Zero signal	0.05 mV/V
Rated output	1 mV/V / Fs

Precision

Accuracy class	0,1%
Relative linearity error	0.05 %FS
Relative zero signal hysteresis	0.05 %FS
Temperature effect on zero signal	0.01 %FS/K
Temperature effect on characteristic value	0.01 %RD/K
Relative creep	0.05 %FS
Relative repeatability error	0.1 %FS

Connection Data

Connection type	Connector
Name of the connection	M23 Connector

Temperature

Rated temperature range f	-10 ... 85 °C
Operating temperature range f	-20 ... 120 °C
Storage temperature range f	-10 ... 85 °C
Environmental protection	IP67

Abbreviation : RD: „Reading“; FS: „Full Scale“;

1) Value in () from 1000kN



Pin Configuration

Symbol	Description	PIN
+Us	positive bridge supply	1
-Us	negative bridge supply	2
+Ud	positive bridge output	3
-Ud	negative bridge output	4
+Uf	positive sense lead	5
-Uf	negative sense lead	6

*Pressure load: positive output signal.
Shield- transparent.*