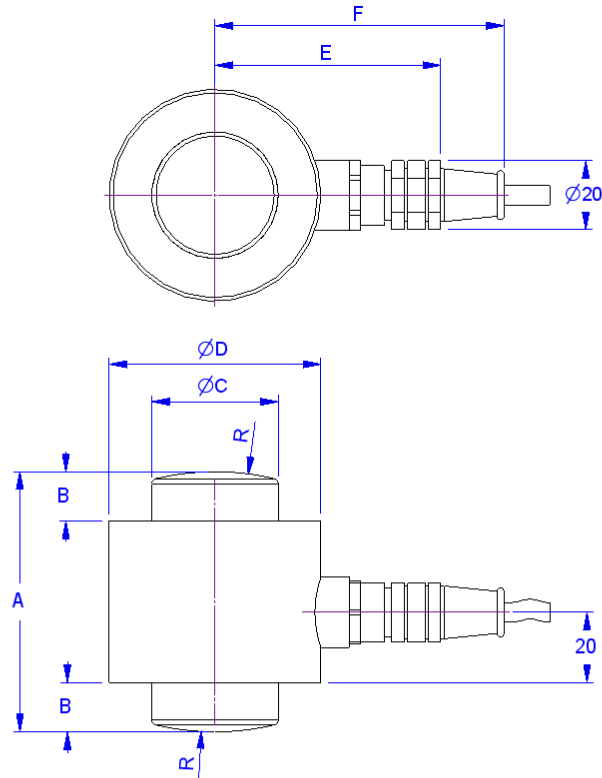


KA90 6t, 13t, 28t, 60t, 130t, 280t



Description

Dimensions



Nennlast (t)	2,8 t	6 t	13 t	28 t	60 t	130 t
A (mm)	56	56	68	74	90	116
B (mm)	8	8	12	14	20	26
C (mm)	16,7	16,7	24,5	36	52,7	77,5
D (mm)	44,5	44,5	54	61	89	115
E (mm)	55	55	61	65	79	93
F (mm)	73	73	79	83	97	110
R (mm)	50	50	66	72	100	125

Technical Data

Force sensor

Type	load cell
Force direction	Compression
Force introduction	Load button
Dimension 1	Ø16,7x8
Sensor Fastening	Load button
Dimension 2	Ø16,7x8
Operating force	150 %FS
Rated displacement	1.24 mm
Lateral force limit	10 %FS
Material	Stainless steel
Surface	nature

Electrical Data

Input resistance	275 Ohm
Output resistance	245 Ohm
Tolerance output resistance	0.2 Ohm
Insulation resistance	5 GOhm
Rated range of excitation voltage f	2.5 ... 5 V
Operating range of excitation voltage f	1 ... 10 V
Zero signal	0.05 mV/V
Rated output	1.5 mV/V / FS
relative error of characteristic value	0.008 mV/V / FS

Precision

Accuracy class	0,2%
Relative linearity error	0.1 %FS
Relative zero signal hysteresis	0.05 %FS
Temperature effect on zero signal	0.05 %FS/K
Temperature effect on characteristic value	0.05 %RD/K
Relative creep	0.08 %FS

Connection Data

Connection type	4 conductor open
Name of the connection	2x2x0,25 PUR

Temperature

Rated temperature range f	-10 ... 60 °C
Operating temperature range f	-10 ... 70 °C
Storage temperature range f	-30 ... 80 °C
Environmental protection	IP66

Abbreviation : RD: „Reading“; FS: „Full Scale“;

1) The exact nominal sensitivity is indicated in the test report.







Pin Configuration

Symbol	Description	Wire colour
+Us	positive bridge supply	red
-Us	negative bridge supply	white
+Ud	positive bridge output	black
-Ud	negative bridge output	blue

Shield- transparent / yellow.

Pressure load: positive output signal

accessories

Description	Description
	Calibration Certificate kn/200/5 Factory calibration certificate for force to 200 kN in accordance with DIN EN ISO / IEC 17025 for test materials monitoring according to DIN ISO 9001: 2008 with 5 load levels and 3 series of measurements.
	Calibration Certificate kn/1000/5 Factory calibration certificate for force to 1 MN in accordance with DIN EN ISO / IEC 17025 for test materials monitoring according to DIN ISO 9001: 2008 with 5 load levels and 3 series of measurements.
	KL4 CG clamping box for parallel connection of 4 sensors, dimensions: 175mm x105mm x 60mm, 4xPG9, 7-pole
	KL4 M12 clamping box for parallel connection of 4 sensors, dimensions: 175mm x105mm x 60mm, 4xM12 female, 1xM12 male