

KM115e 50kN, 100kN, 200kN



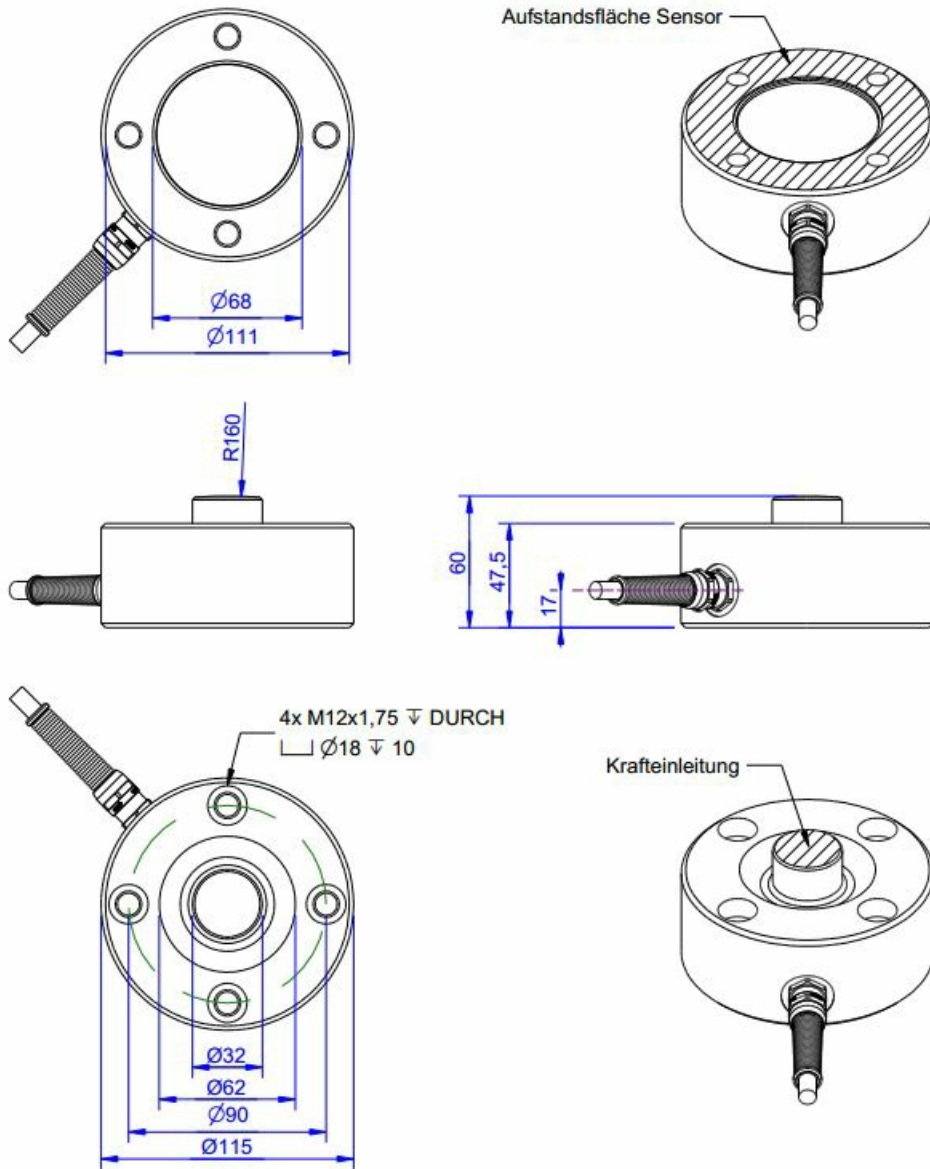
Description

The force sensor KM 115 is a membrane force sensor for measuring compressive forces. It is fastened to an even surface with four screws M12. A spherical cap with a radius of 160 mm is provided for the force transmission.

The force sensor KM115e is a membrane-type force sensor for measurement of compressive forces. The integrated electronic GSV-15L provides an output signal 0...10 Volt or 4...20mA proportional to the applied force on the constructional element. The electronic GSV-15L offers a digital input for automatic zero adjustment, a digital input for autoscale and a digital output as threshold switch.

Environmental protection is IP 67.

Dimensions



Technical Data

Force sensor

Type	Load cell
Force direction	Compression
Force introduction	Load button
Dimension 1	Ø32
Sensor Fastening	Circular ring
Dimension 2	Ø111x21,5
Operating force	150 %FS
Rated displacement	0.08 mm
Lateral force limit	50 %FS
Material	Stainless steel
Height	60 mm
Length or Diameter	115 mm

Electrical Data

Input resistance	850 Ohm
Tolerance input resistance	100 ±
Output resistance	700 Ohm
Tolerance output resistance	10 ±
Insulation resistance	5x10 ⁹ Ohm
Rated range of excitation voltage f	2.5 ... 5 V
Operating range of excitation voltage f	1 ... 10 V
Zero signal	0.05 mV/V
Rated output	1 mV/V / FS

Precision

Accuracy class	0,5%
Relative linearity error	0.1 %FS
Relative zero signal hysteresis	0.05 %FS
Temperature effect on zero signal	0.02 %FS/K
Temperature effect on characteristic value	0.02 %RD/K
Relative creep	0.1 %FS

Supply

Supply voltage f	14 ... 30 V
------------------	-------------

Connection Data

Connection type	7-Leiter offen
Name of the connection	Unitronic FD CP TP Plus / 7x0,14
Cable length	5 m

Temperature

Rated temperature range f	-10 ... 70 °C
Operating temperature range f	-10 ... 85 °C



Storage temperature range f	-10 ... 85 °C
Environmental protection	IP67

Abbreviation: RD: „Reading“; FS: „Full Scale“;



1) The exact nominal sensitivity is indicated in the test report;



Pin Configuration

Symbol	Description	Wire colour
Ub	Supply voltage (depends on variant)	brown
GND	Ground power supply	white
Ua (Out)	Output signal 4... 20mA / 0... 10V / 0... 5V	green
Tara (Ta)	Control input for zero balance	yellow
Scale (Sc)	Control input for amplification factor	grey
GND	Ground, signal	pink
	Shield	transparent

accessories

Description	Description
	Calibration Certificate kn/20/5 Factory calibration certificate for force to 20 kN in accordance with DIN EN ISO / IEC 17025 for test materials monitoring according to DIN ISO 9001: 2008 with 5 load levels and 3 series of measurements.
	High Accuracy Calibration/1D



Order options

Type	Description
KM115e 010/105/3.5	Output 0...10V, 100 Hz, input ± 0.1 mV/V ... 3.5 mV/V (standard type)
KM115e 4-20/105/3.5	Output 4...20mA, 100 Hz, input ± 0.1 mV/V ... 3.5 mV/V