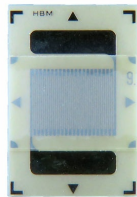
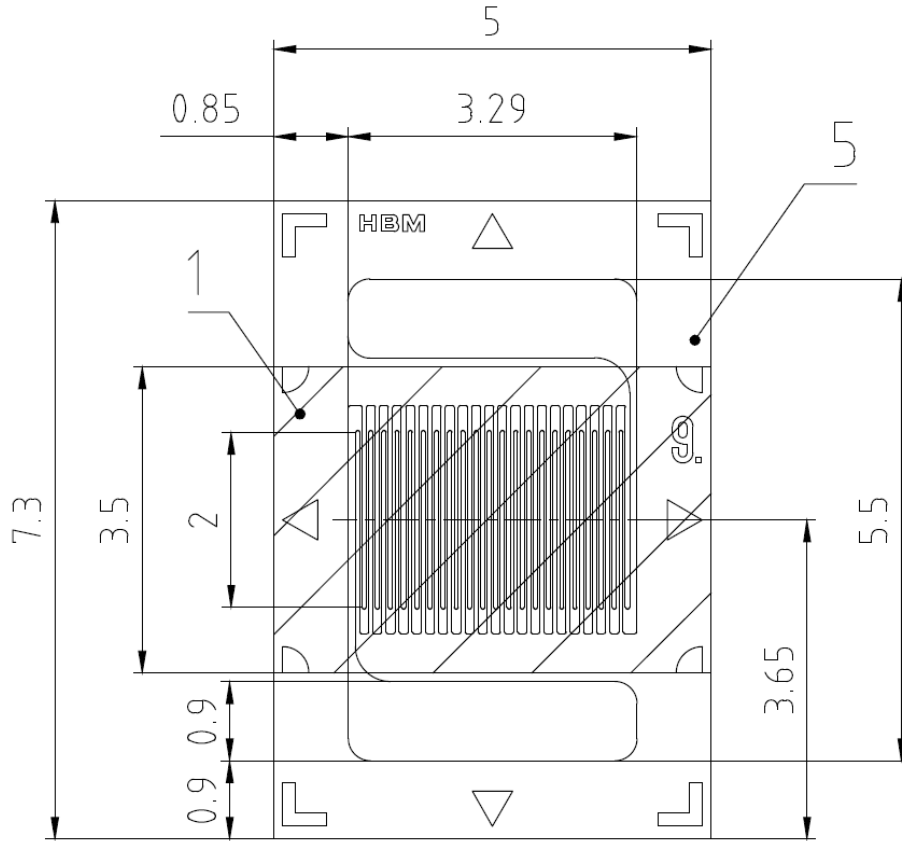


## K-216.12-2095



### Description

### Dimensions



## Technical Data

### Strain gauge

Purpose of measurement	Sensor construction
Type	Single-grid
Number of grids	1
Grid width	3.29 mm
maximum width	5 mm
Grid length	2 mm
maximum length	7.3 mm
Resistance	350 Ohm
Connection	Solder pad
Type	Foil strain gauge
Temperature adjustment	Aluminium
Substrate	PEEK