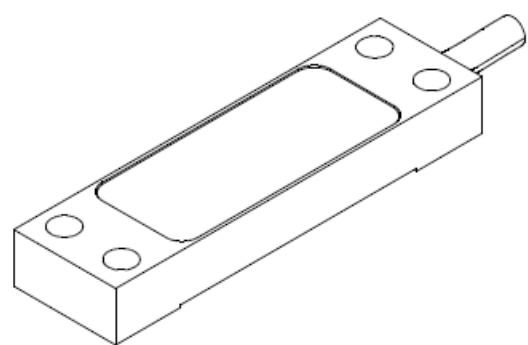
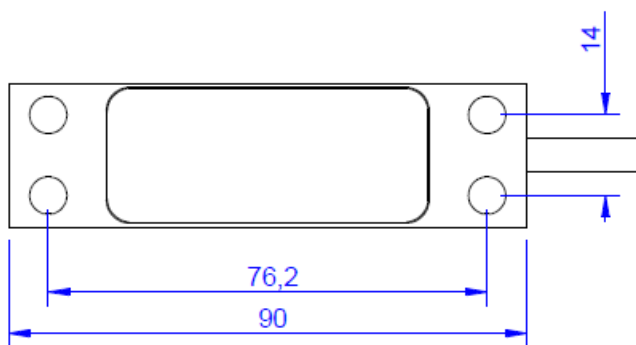
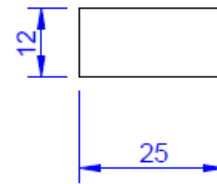
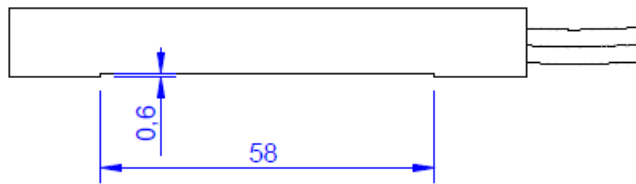
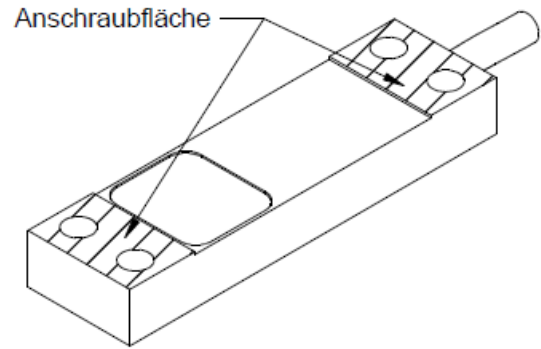
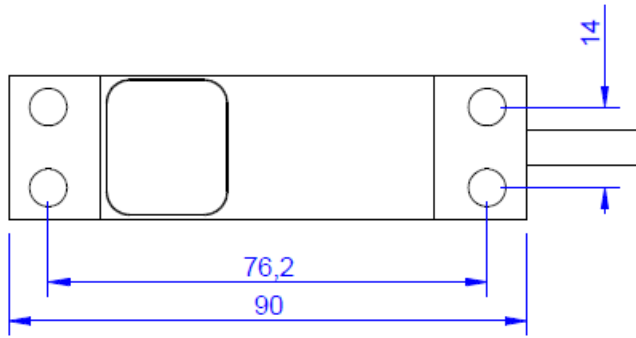


DA90i



Description

Dimensions





Technical Data

Electrical Data

Input resistance	350	Ohm
Tolerance input resistance	1	Ohm
Output resistance	350	Ohm
Tolerance output resistance	1	Ohm
Insulation resistance	5	GOhm

Measuring frequency

Data frequency f	10 ... 25	Hz
Sampling frequency	50	kHz

Supply

Supply voltage f	9 ... 29	V
Current consumption from	22	mA

Connection Data

Connection type	7-Leiter offen	
Name of the connection	5m Unitronic FD CP Plus 7x0,14	
Cable length	5	m

Basis Data

Type	Dehnungsaufnehmer	
Nominal strain	100	µm/m
Operating strain	400	µm/m
Material	Tool steel	
Surface	electrogalvanized	




Pin Configuration

Symbol	Description	Wire colour	PIN
Ub	Supply voltage (24V or 12V DC)	brown	1
GND	Connect ground, supply voltage	white	2
Ua	Output signal 4...20mA / 0...10V / $\pm 10V$	green	3
Tara	Control input for zero balance	yellow	4
Scale	Control input for amplification factor	grey	5
SW	Threshold output	pink	6
GND	Connect ground, signal	blue	7
	shiled (is not connected with the housing)	transparent	

With integrated electronics GSV-15L / GSV-6L.

Ground signal connected to ground supply internally.

accessories

Description	Description
 Aktivator-11	Spray 200ml; Activator solvent-based for anaerobic adhesives;
 Loxeal-8521	Retainer anaerobic for DA70, DA90, DA120, high-strength; -55°C ...+ 150°C;
 Configuration GSV-6	as a free service we offer the configuration for GSV-6K and GSV-6L, setting parameters are selectable