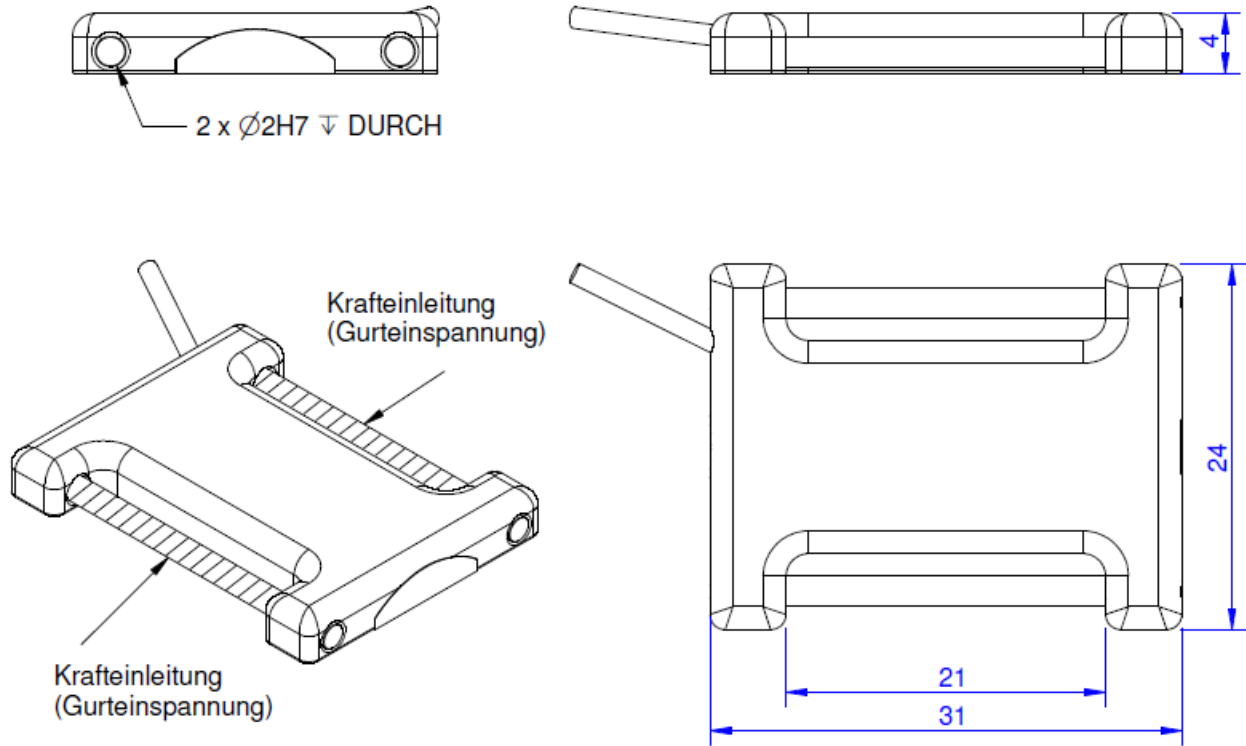


KL20 100N



Description

Dimensions



Technical Data

Force sensor

Type	Force sensor
Force direction	Tension / Compression
Operating force	400 %FS
Rated displacement	0.05 mm
Material	Aluminium alloy
Surface	nature
Height	19 mm
Length or Diameter	31 mm

Electrical Data

Input resistance	1 kOhm
Tolerance input resistance	10 Ohm
Output resistance	1 kOhm
Tolerance output resistance	10 Ohm
Insulation resistance	2 GOhm
Rated range of excitation voltage f	2.5 ... 5 V
Operating range of excitation voltage f	1 ... 10 V
Zero signal to	-0.1 mV/V
Zero signal from	0.1 mV/V
characteristic value range min	0.5 mV/V
characteristic value range max	0.8 mV/V

Precision

Accuracy class	1%
Relative linearity error	1 %FS
Relative zero signal hysteresis	0.02 %FS
Temperature effect on zero signal	0.02 %FS/K
Temperature effect on characteristic value	0.01 %RD/K
Relative creep	0.1 %FS

Connection Data

Connection type	4 conductor open
Name of the connection	STC-36T-4
Cable length	1 m

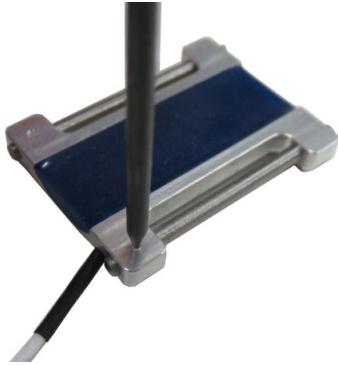
Temperature

Rated temperature range f	-10 ... 70 °C
Operating temperature range f	-10 ... 85 °C
Environmental protection	IP65

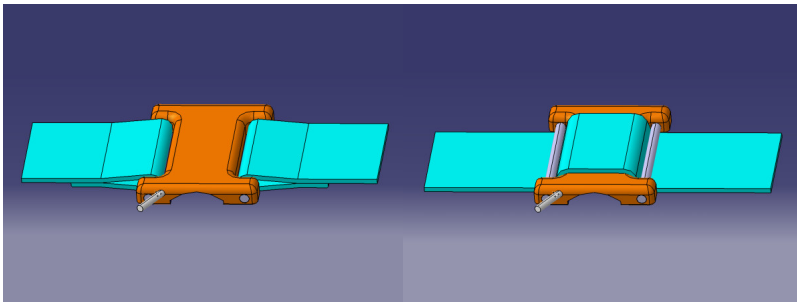
Abbreviation: RD: „Reading“; FS: „Full Scale“;
 1) The exact nominal sensitivity is indicated in the test report.

Mounting




The cylinder pins can be removed for loading the belts. The cylinder pins are secured by gluing or by a light grain impact.



The sensor is mounted either between a divided belt or within an undivided belt.



accessories

Description	Description
	<p>Calibration Certificate kn/20/5</p> <p>Factory calibration certificate for force to 20 kN in accordance with DIN EN ISO / IEC 17025 and ISO 9000 for test materials monitoring according to DIN ISO 9001: 2008 with 5 load levels and 3 series of measurements.</p> <p>Tensile Force</p>
	<p>GSV-3USB</p> <p>Measuring amplifier in aluminum housing for sensors with strain gauges. Limiting frequency 1250Hz, input sensitivity 2 / 3,5 / 10 mV/V.</p>
	<p>GSV-2MSD-DI IP43</p> <p>Mobile datalogger with display; aluminium housing with keypad, SD-card slot, USB-Port, 0Hz ...3750Hz measurements</p>