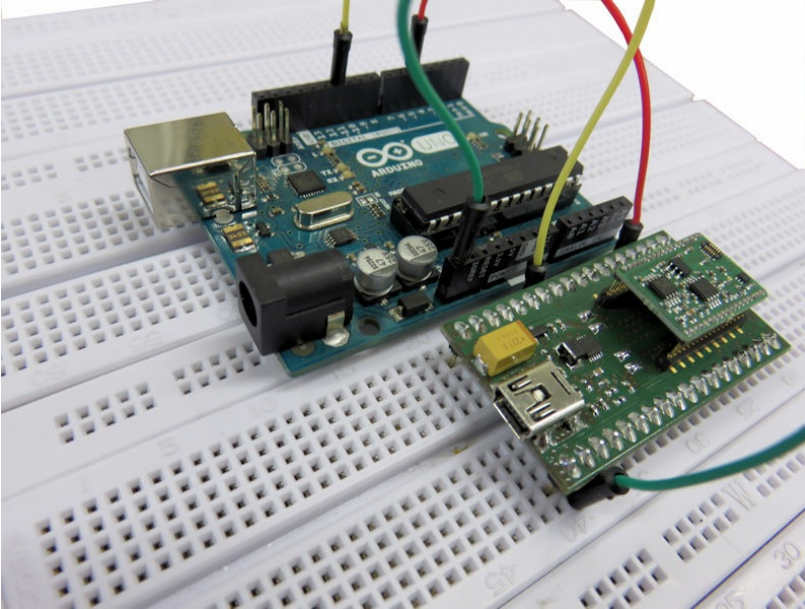


GSV-6DEV



Description

The Development Board is equipped with two socket strips in 1mm pitch for a GSV-6CPU;
The contacts are connected 1:1 with two pin headers in 2.54mm pitch;
Distance between the pin strips: $9 \times 2.54\text{mm} = 22,86\text{mm}$;

The UART interface of the GSV-6CPU is connected (via the solder bridges "a") to an FTDI chip. This allows communication via USB interface. Power is also supplied via the USB port.

By opening the solder bridges "a" the UART interface of the GSV-6CPU can be used on the pin header RM2.54 of the Development Board.

By opening the solder bridges "b" the power supply of the GSV-6CPU is also switched off via USB.

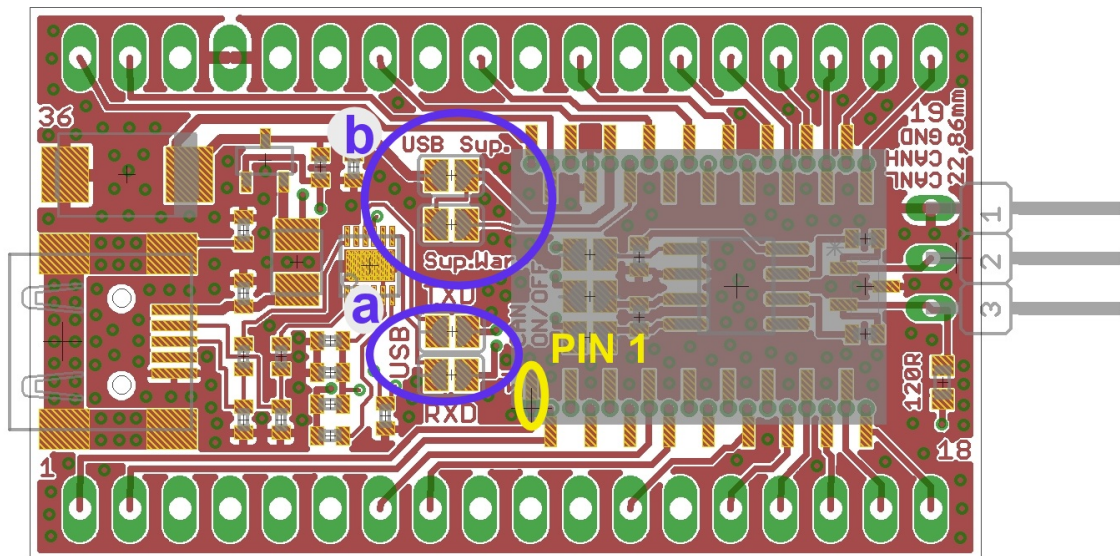


Technical Data

Interface

Type of the interface	Analog usb
Quantity of the interface	2

Manual



Note on the bridge circuit: The allowable range for + Ud and -Ud is 1.32V to 1.68V. The maximum, unbalanced series resistor (one-sided series resistance in + Us or -Us) must not exceed 26% of the bridge resistance.

The table lists the maximum possible series resistors, which may be unilaterally connected in + Us or -Us.

Strain Gauge bridge circuit	Max. Series resistor unbalanced
350 Ohms	91 Ohms
700 Ohms	182 Ohms
1000 Ohms	260 Ohms
1400 Ohms	364 Ohms