

GSV-2FSD-DI -5+5/250/2/CANOpen -5+5/250/2/CANOpen



Highlights

- Tare function via control cable
- RS232, RS485 or CAN/CANOpen
- analogue output $\pm 5V$
- optionally 4...20mA output signal
- 24 Bit, to 200.000 Digits display resolution
- extensive software support
- two threshold generator
- trigger input

ME-Meßsysteme GmbH
Neuendorfstr. 18a
DE-16761 Hennigsdorf

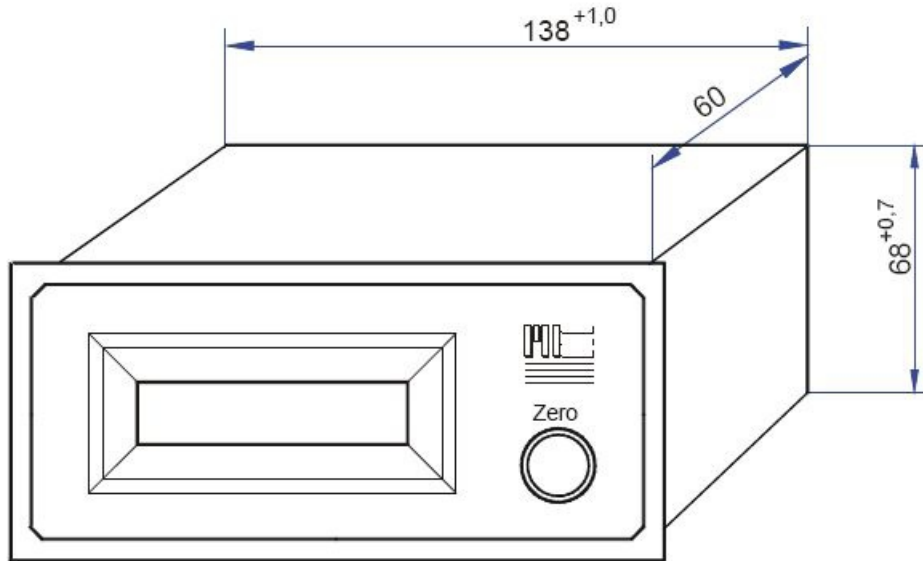
Tel +49 (0)3302 8982 4 60
Fax +49 (0)3302 8982 4 69

Mail info@me-systeme.de
Web www.me-systeme.de



Description

Dimensions



Technical Data

Basis Data

Housing	Front panel
Connection	screw terminal
Number of channels	1-Kanal

Input analog

Number of analog inputs	1
Input sensitivity-steps	2.0 3.5 mV/V
Input resistance strain-gauge-full-/half-bridge	87 ... 5000 Ohm
Input voltage to	10 V
Input resistance-voltage	56 kOhm

Precision

Accuracy class	0,05%
Relative linearity error	0.02 %FS
Temperature effect on the zero point	0.2 %FS/10°C
Temperature effect on the measuring sensitivity	0.1 %RD/10°C
Resolution	24 Bit

Supply

Supply voltage f	10 ... 29 V
Current consumption f	100 ... 120 mA
Strain gauge bridge supply	2.5 5 V

Interface

Type of the interface	rs232 canopen can
Quantity of the interface	2

Zero adjustment

Type	Button digital
Tolerance	0.01 %
Time period	1 ms
Debouncing time	4 ms
Trigger level f	3.4 ... 29 V
Trigger edge	Level

Temperature

Rated temperature range to	50 °C
Operating temperature range f	-20 ... 70 °C
Environmental protection	IP40

Measuring frequency

Data frequency f	1 ... 1000 Hz
------------------	---------------



Limit frequency (analog)

1700 Hz

accessories

Description	Description
	NGS-74-GHN

Orderoptions

Type	Description
GSV-2FSD-DI -5+5/250/2	Output -5...5 V, 250 Hz, input ± 2 mV/V
GSV-2FSD-DI -5+5/250/2/CANOpen	Output -5...5 V, 250 Hz, input ± 2 mV/V, CANOpen
GSV-2FSD-DI 010/250/2	Output -10...10 V, 250 Hz, input ± 2 mV/V
GSV-2FSD-DI 4-20/250/2	Output 4...20mA, 250 Hz, input ± 2 mV/V