

## GSV-2FSD-DI -5+5/250/2



### Highlights

- Tare function via control cable
- RS232, RS485 or CAN/CANOpen
- analogue output  $\pm 5V$
- optionally 4...20mA output signal
- 24 Bit, to 200.000 Digits display resolution
- extensive software support
- two threshold generator
- trigger input

ME-Meßsysteme GmbH  
Neuendorfstr. 18a  
DE-16761 Hennigsdorf

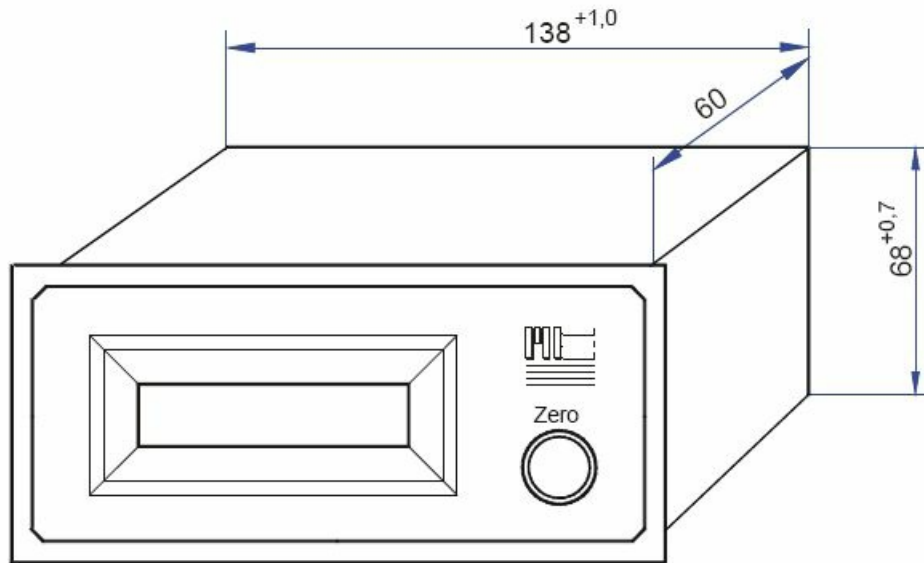
Tel +49 (0)3302 8982 4 60  
Fax +49 (0)3302 8982 4 69

Mail [info@me-systeme.de](mailto:info@me-systeme.de)  
Web [www.me-systeme.de](http://www.me-systeme.de)



## Description

## Dimensions



## Technical Data

### Input analog

Number of analog inputs	1
Input sensitivity-steps	2.0   3.5 mV/V
Input resistance strain-gauge-full-bridge	87 ... 5000 Ohm
Input voltage f	0 ... 10 V
Input resistance-voltage	56 kOhm

### Output analog

Number of analog outputs	1
Voltage output f	-5 ... 5 V
Output resistance - voltage	47 Ohm

### Measuring frequency

Data frequency f	1 ... 1000 Hz
Limit frequency (analog)	1700 Hz

### Supply

Supply voltage f	10 ... 29 V
Current consumption f	100 ... 120 mA
Strain gauge bridge supply	2.5   5 V

### Interface

Type of the interface	rs232   rs422
Quantity of the interface	2

### Zero adjustment

Type	Button   digital
Tolerance	0.01 %
Time period	1 ms
Debouncing time	4 ms
Trigger level f	3.4 ... 29 V
Trigger edge	Level

### Filter

Order	2
Algorithm	bessel

### Temperature

Rated temperature range f	0 ... 50 °C
Operating temperature range f	-20 ... 70 °C
Environmental protection	IP40

### Basis Data



Housing	Front panel
Connection	screw terminal
Number of channels	1-Kanal

**Precision**

Accuracy class	0,05%
Relative linearity error	0.02 %FS
Temperature effect on the zero point	0.2 %FS/10°C
Temperature effect on the measuring sensitivity	0.1 %RD/10°C
Resolution	24 Bit

## accessories

Description	Description
	NGS-74-GHN

## Order options

Type	Description
GSV-2FSD-DI -5+5/250/2	Output -5...5 V, 250 Hz, input $\pm 2$ mV/V
GSV-2FSD-DI -5+5/250/2/CANOpen	Output -5...5 V, 250 Hz, input $\pm 2$ mV/V, CANOpen
GSV-2FSD-DI 010/250/2	Output -10...10 V, 250 Hz, input $\pm 2$ mV/V
GSV-2FSD-DI 4-20/250/2	Output 4...20mA, 250 Hz, input $\pm 2$ mV/V