

## GSV-1A 010/250/2

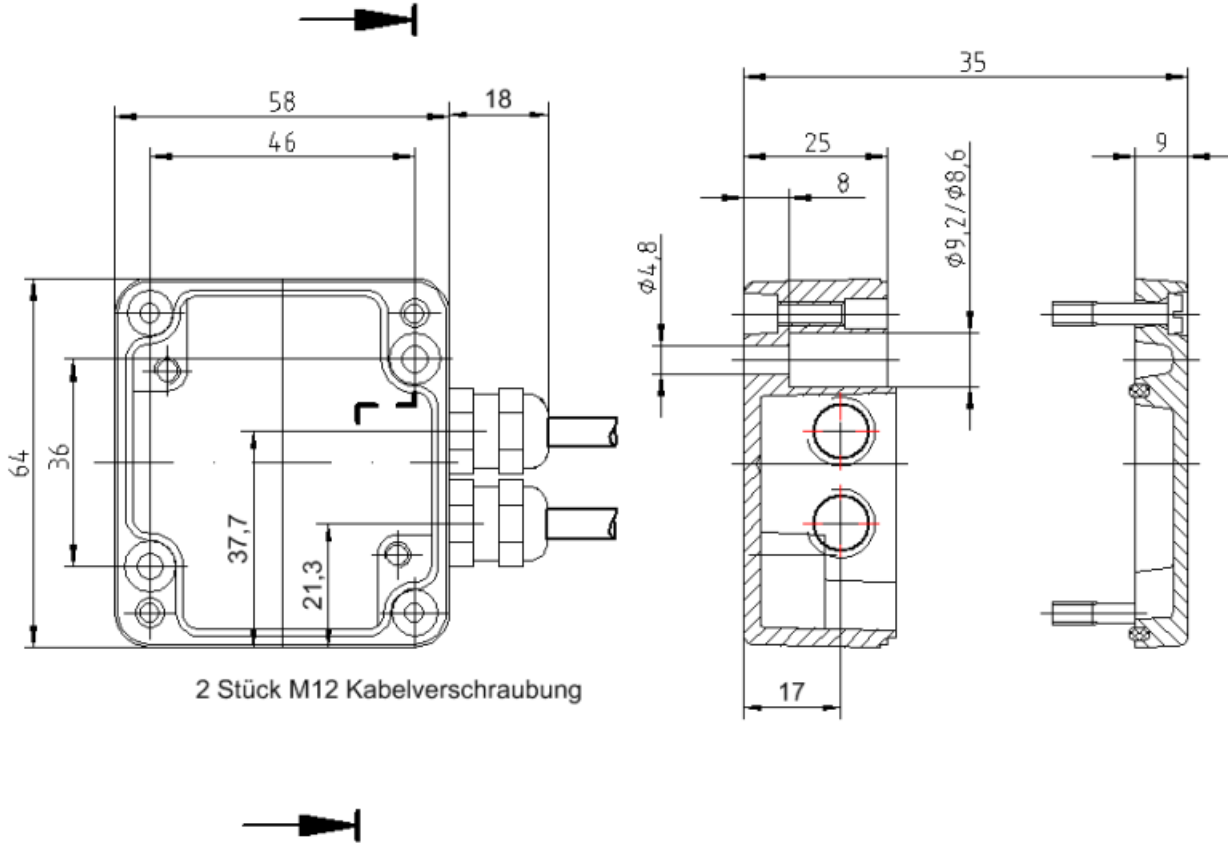


### Description

The measuring amplifier GSV-1A is ideal for assembly near the sensor, because the aluminum housing (protection class: IP66) is very compact and for the detection of static and dynamic signals from sensors with strain gauges.

The automatic automatic zero adjustment store settings permanently in the nonvolatile memory also by voltage interruption.

### Dimensions



## Technical Data

### Input analog

Input sensitivity-steps	0.2   0.5   1.0   2.0	mV/V
Input resistance strain-gauge-full-bridge	87 ... 5000	Ohm

### Output analog

Number of analog outputs	1	
Voltage output f	-10 ... 10	V
Output resistance - voltage	47	Ohm

### Measuring frequency

Limit frequency (analog)	250	Hz
--------------------------	-----	----

### Supply

Supply voltage f	11 ... 29	V
Current consumption f	55 ... 75	mA
Strain gauge bridge supply	5	V

### Interface

Type of the interface	Analogue	
Quantity of the interface	1	

### Zero adjustment

Type	digital	
Tolerance	5	mV
Time period	90	ms
Debouncing time	4	ms
Trigger level f	3.5 ... 30	V
Trigger edge	falling	

### Temperature

Rated temperature range f	-10 ... 65	°C
Operating temperature range f	-40 ... 85	°C
Storage temperature range f	0 ... 0	°C
Environmental protection	IP66	

### Basis Data

Housing	Aluminium	
Connection	screw terminal	
Number of channels	1-Kanal	

### Precision

Accuracy class	0,1%	
Relative linearity error	0.02	%FS



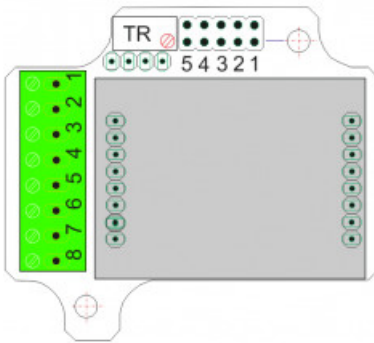
---

Temperature effect on the zero point	0.01	%FS/10°C
Temperature effect on the measuring sensitivity	0.1	%RD/10°C

---

## Mounting

## Pin configuration



The GSV-1A measurement amplifier can also optionally be delivered with type 763 plug connectors.

Terminal		Series 763 (M12) socket		Series 763 (M12) pins	
1	-U <sub>D</sub> Negative differential input	4	black		
2	+U <sub>D</sub> Positive differential input	3	blue		
3	+U <sub>S</sub> : Positive bridge excitation (5V)	1	brown		
4	-U <sub>S</sub> : Negative bridge excitation (GND)	2	white		
5	GND: Ground			3+5	blue+grey
6	+U <sub>A</sub> : Analogue output			2	white
7	+U <sub>B</sub> Voltage supply (12V or 24V)			1	brown
8	T: Control input zero adjustment			4	black

## Adjustment of the input range

The input sensitivity can be adjusted by moving the jumper. The input sensitivity for position 1 is indicated in the type designation. In position 5, the amplification can be set in a continuously variable manner using the "TR" trimmer.


Position	Amplification Factor	Input sensitivity in mV/V for GSV-1A with 2 mV/V	Input sensitivity in mV/V for GSV-1A with 3.5 mV/V
1	1	2	3.5
2	2	1	1.75
3	4	0.5	0.85
4	10	0.2	0.35
5	1...10	2 ... 0.2	3.5 ... 0.35

For an amplification factor 1, the complete output signal is reached at a modulation of 100%.

For an amplification factor of 2, the complete output signal is already reached at a modulation of 50%.

Various versions are available, e.g. with voltage output +5V, with voltage output +10V, with current output 4...20mA, and with various input sensitivities +-2mV/V and +-3.5mV/V.

## accessories

Description	Description
	Configuration 5p/m/M12
	Connector Type Coninvers, 5 pin, pins (male), terminated on cable

## Order options

Type	Description
GSV-1A 010/250/2	Output -10 ... 10 V, 250 Hz, input $\pm 2$ mV/V (standard type)
GSV-1A 010/250/2/M12	Output -10 ... 10 V, 250 Hz, input $\pm 2$ mV/V, round plug connector m12
GSV-1A 010/250/3.5	Output -10 ... 10 V, 250 Hz, input $\pm 3.5$ mV/V
GSV-1A 010/2k5/2	Output -10 ... 10 V, 2.5 kHz, input $\pm 2$ mV / V
GSV-1A 010/2k5/2/M12	Output -10 ... 10 V, 2.5 kHz, input $\pm 2$ mV / V, round plug connector m12
GSV-1A 010/10khz/2	Output -10 ... 10 V, 10 kHz, input $\pm 2$ mV / V
GSV-1A 4-20/250/2	Output 4 ... 20 mA, 250 Hz, input $\pm 2$ mV/V
GSV-1A 4-20/250/2/M12	Output 4 ... 20 mA, 250 Hz, input $\pm 2$ mV/V, round plug connector m12
GSV-1A 4-20/250/3.5	Output 4 ... 20 mA, 250 Hz, input $\pm 3.5$ mV/V
GSV-1A 4-20-12/250/2/M12	Output 12 $\pm 8$ mA, 250 Hz, input $\pm 2$ mV/V, round plug connector m12