

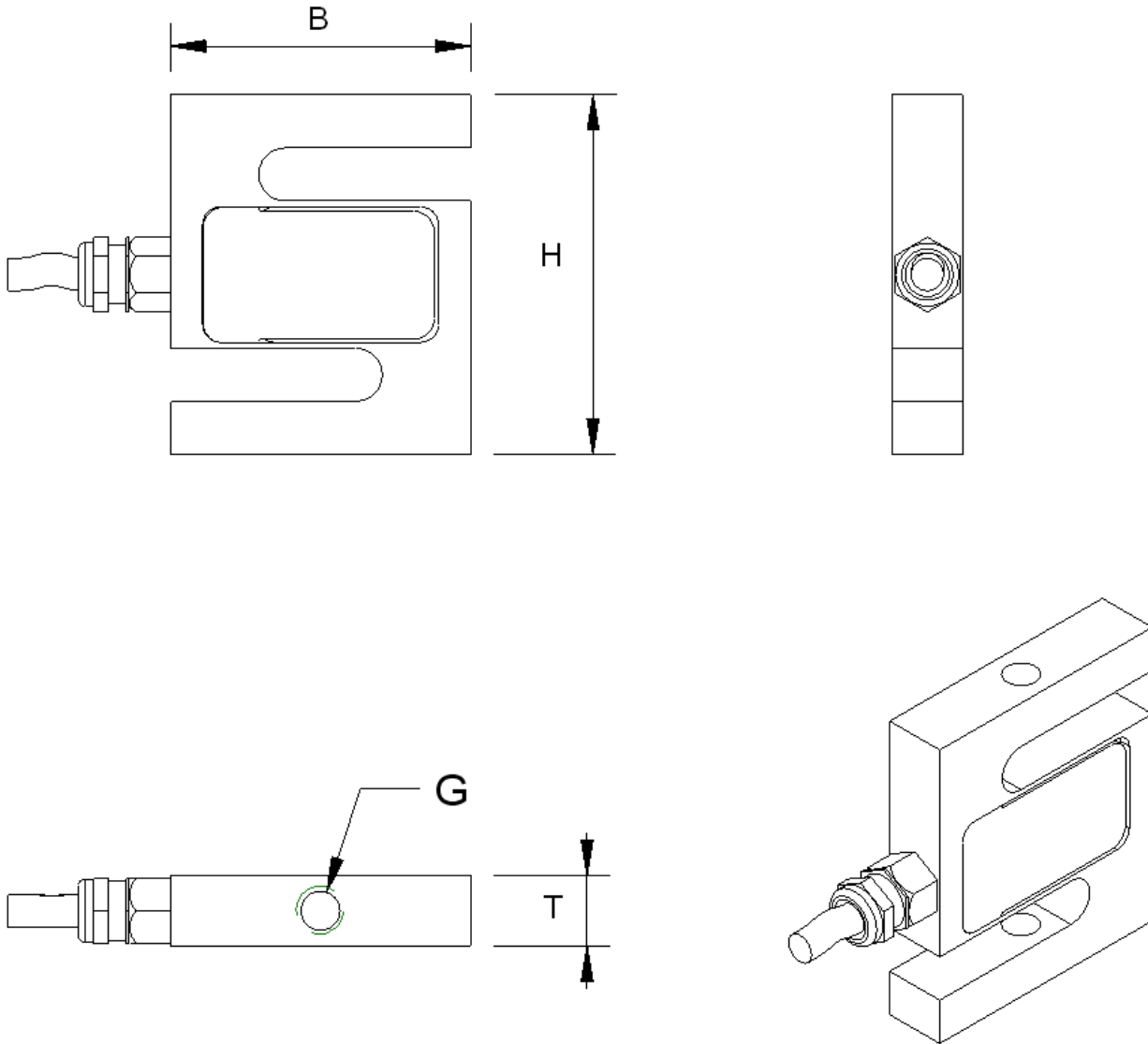
## KD9363s 500kg



### Description

The force sensor KD9363S is used for tensile and compressive force measurements and for weighing. The areas of application are e.g. wire rope measurements, test beds, overload securing for lifting tools, process controllers as well as weighing scales. The force sensor KD9363S conforms to the stringent European requirements for use in calibration-obligatory weighing scales. The method of protection is IP67.

### Dimensions



## Technical Data

### Force sensor

Type	Force sensor
Force direction	Tension / Compression
Rated force F <sub>x</sub>	500 kg
Force introduction	Inner thread
Sensor Fastening	Inner thread
Operating force	150 %FS
Rated displacement	0.3 mm
Lateral force limit	100 %FS
Material	Stainless steel
Natural frequency	2 kHz
Height	61 mm
Length or Diameter	51 mm

### Electrical Data

Input resistance	400 Ohm
Tolerance input resistance	50 ±
Output resistance	350 Ohm
Tolerance output resistance	10 ±
Insulation resistance	5x10 <sup>9</sup> Ohm
Rated range of excitation voltage f	2.5 ... 5 V
Operating range of excitation voltage f	1 ... 10 V
Zero signal	0.05 mV/V
Rated output	3 mV/V / FS

### Precision

Accuracy class	0,05%
Relative linearity error	0.02 %FS
Relative zero signal hysteresis	0.02 %FS
Temperature effect on zero signal	0.02 %FS/K
Temperature effect on characteristic value	0.01 %RD/K
Relative creep	0.1 %FS

### Connection Data

Connection type	4 conductor open
Cable length	6 m

### Temperature

Rated temperature range f	-10 ... 70 °C
Operating temperature range f	-10 ... 85 °C
Storage temperature range f	-10 ... 85 °C
Environmental protection	IP65

Abbreviation: RD: „Reading“; FS: „Full Scale“;



1) *The exact nominal sensitivity is indicated in the test report;*






## Pin Configuration

Symbol	Description	Wire colour
+Us	positive bridge supply	red
-Us	negative bridge supply	black
+Ud	positive bridge output	green
-Ud	negative bridge output	white

*Shield- transparent.*

*Compressive load: positive output signal*

## accessories

	Description	Description
	Rod End Mx	Rod End with male thread M8, Hole Diameter 8 -0,008, Thread: right, Hight: 54mm, Application: for KD9363s; KD80s 500N, 1kN
	Rod End Mx	Rod End with male thread M12, Hole Diameter 12 -0,008, Thread: right, Hight: 71 mm, Application: for KD9363s 250kg to 1000kg and KD80s 2kN...10kN
	Calibration Certificate kn/20/5	Factory calibration certificate for force to 20 kN in accordance with DIN EN ISO / IEC 17025 for test materials monitoring according to DIN ISO 9001: 2008 with 5 load levels and 3 series of measurements.
	Ring bolt 8	High - strength ring bolt quality 8