

GSV-4USB SubD37 GSV-4USB SubD37



Highlights

- 4 channels
- Supply via USB port
- Inputs for DMS / 0 - 5 V / PT1000
- Measuring ranges 2 mV / V / 10 mV / V
- DMS quarter- / half-, full bridges
- 8 digital inputs / outputs
- Data rate 0 Hz - 900 Hz



Description

The measuring amplifier GSV 4USB is a compact 4 channel measurement amplifier.

The amplifier GSV 4USB SubD37 has 1 pcs SubD-37 connector for the sensor connection.

The GSV-4USB is configurable for measurement with strain gauges and other sensors, such as displacement sensors, temperature sensors and sensors with voltage output suitable.

Sampling frequencies from 0Hz to 900Hz are configurable.

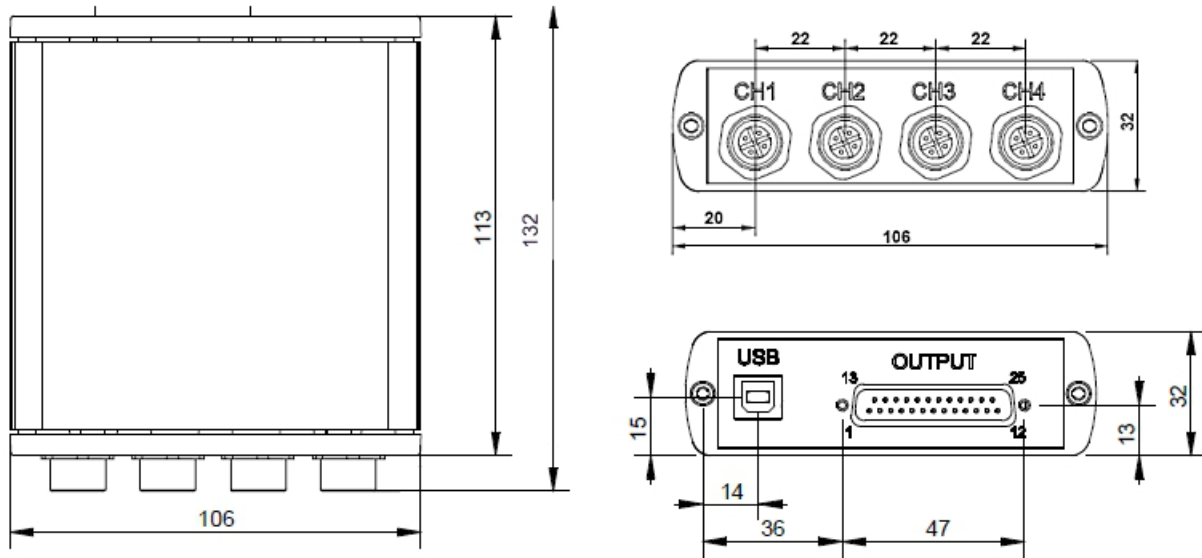
No external power supply is needed due to power supply via USB port.

The analog inputs of the measuring amplifier GSV-4USB can be individually configured for strain gage full bridges, half bridges and quarter bridges 120 ohms, 350 ohms and 1k. Other inputs are 0 ... 5V and 0 ... 10V and PT1000.

In the variant with a SUB-D37 connector all input variants are accessible via SUBD37 Connector.

In the version with 4 pieces M12 connectors the device must be configured by solder bridges for the desired input type. PIN5 of M12 plug serves for all input variants different from strain gage full- or halfbridge.

Dimensions



Technical Data

Input analog

Input sensitivity-steps	2.0 10	mV/V
Input resistance strain-gauge-full-/half-bridge	89 ... 5000	Ohm
Input resistance strain-gauge-quarter-bridge	120 350 1000	Ohm
Input voltage f	0 ... 5	V

Measuring frequency

Data frequency f	0 ... 900	Hz
Sampling frequency	1.92	MHz
Limit frequency (analog)	450	Hz

Supply

Supply voltage f	4.5 ... 5.5	V
Current consumption to	200	mA
Strain gauge bridge supply	2.5	V
Isolation of the supply	1000	V

Interface

Type of the interface	usb
Quantity of the interface	1
Version of the interface	USB 1.1, USB 2.0 kompatibel

Temperature

Rated temperature range f	-10 ... 65	°C
Operating temperature range f	-40 ... 85	°C
Environmental protection	IP40	



Basis Data

Housing	Aluminium
Connection	Connector
Number of channels	4-Kanal

Precision

Accuracy class	0,05%	
Temperature effect on the zero point	0.05	%FS/10°C
Temperature effect on the measuring sensitivity	0.01	%FS/10°C
Resolution	16	Bit

accessories

Description	Description
	Configuration SubD37/m
	Mounting-FEET-100

Assembling the connector to sensor cable;
Connector Type SubD, 37 pin, male (male), with hood

Mounting plates for GSV-3USB / GSV-3USBx2 / GSV-1A4 / GSV-4USB