

## GSV-4USB M12 GSV-4USB M12



### Highlights

- 4-channels
- supply via USB Port
- inputs for strain gauge / 0 – 5 V / PT1000
- measuring ranges 2 mV/V / 10 mV/V
- strain gauge quarter / half and full bridges
- 8 digital in- and outputs
- Data rate 0 Hz – 900 Hz



## Description

The measuring amplifier GSV 4USB is a compact 4 channel measurement amplifier.

The amplifier GSV 4USB M12 has 4 pcs M12 round connectors for the sensor connection.

The GSV-4USB is configurable for measurementengts with strain gauges and other sensors, such as displacement sensors, temperature sensors and sensors with voltage output suitable.

Sampling frequencies from 0Hz to 900Hz are configurable.

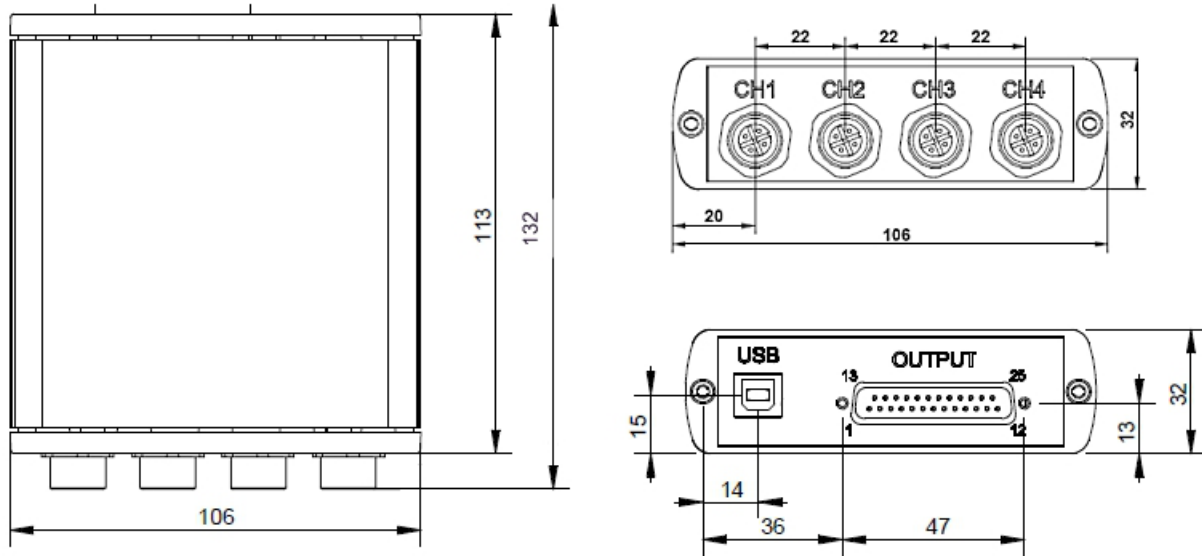
No external power supply is needed due to power supply via USB port.

The analog inputs of the measuring amplifier GSV-4USB can be individually configured for strain gage full bridges, half bridges and quarter bridges 120 ohms, 350 ohms and 1k. Other inputs are 0 ... 5V and 0 ... 10V and PT1000.

In the variant with a SUB-D37 connector all input variants are accessible via SUBD37 Connector.

In the version with 4 pieces M12 connectors the device must be configured by solder bridges for the desired input type. PIN5 of M12 plug serves for all input variants different from straingage full- or halfbridge.

## Dimensions



## Technical Data

### Basis Data

Housing	Aluminium
Connection	Connector
Number of channels	4-Kanal

### Input analog

Input sensitivity-steps	2.0   10	mV/V
Input resistance strain-gauge-full-/half-bridge	89 ... 5000	Ohm
Input resistance strain-gauge-quarter-bridge	120   350   1000	Ohm
Input voltage to	10	V

### Precision

Accuracy class	0,05%	
Temperature effect on the zero point	0.05	%FS/10°C
Temperature effect on the measuring sensitivity	0.01	%RD/10°C
Resolution	16	Bit

### Supply

Supply voltage f	4.5 ... 5.5	V
Current consumption to	200	mA
Strain gauge bridge supply	2.5	V
Isolation of the supply	1000	V

### Interface

Type of the interface	usb
Quantity of the interface	1
Version of the interface	USB 1.1, USB 2.0 kompatibel



### Temperature

Rated temperature range f	-10 ... 65	°C
Operating temperature range f	-40 ... 85	°C
Environmental protection	IP40	

### Measuring frequency

Data frequency to	900	Hz
Sampling frequency	1.92	MHz
Limit frequency (analog)	450	Hz

## accessories

Description	Description
	Connector xp/m/M12/0
	Mounting-FEET-100

Cable plug connector, 4 / 5 poles, shieldable

Mounting plates for GSV-3USB / GSV-3USBx2 / GSV-1A4 / GSV-4USB