

GSV-2FSD-DI



Highlights

- Tare function via control cable
- RS232, RS485 or CAN/CANOpen
- analog output -10V...+10V / 4...20mA / -5V...+5V
- optionally 4...20mA output signal
- 24 Bit, to 200.000 Digits display resolution
- extensive software support
- two threshold generator
- trigger input

Description

The GSV-2 is considered the "classic" among industrial measuring amplifiers for sensors with strain gauges. Highest EMC protection according to degree of sharpness 4

(EN61000-4-2, 61000-4-4, EN50082-2) and beyond standards, IP66 enclosures and compactness are valued worldwide.

Optionally, the GSV is available with display, connectors or zero set-up and gain switching via relay contacts.

The GSV-2 measuring amplifier finds applications in process monitoring and weighing technology.

Up to 2000 readings per second can be transmitted via the RS232 serial interface. It has excellent digital filters. Filtering or averaging of the transferred measured values is not required.

In addition, an analog output (0...10V, or $\pm 5V$ or 4...20mA) is available.

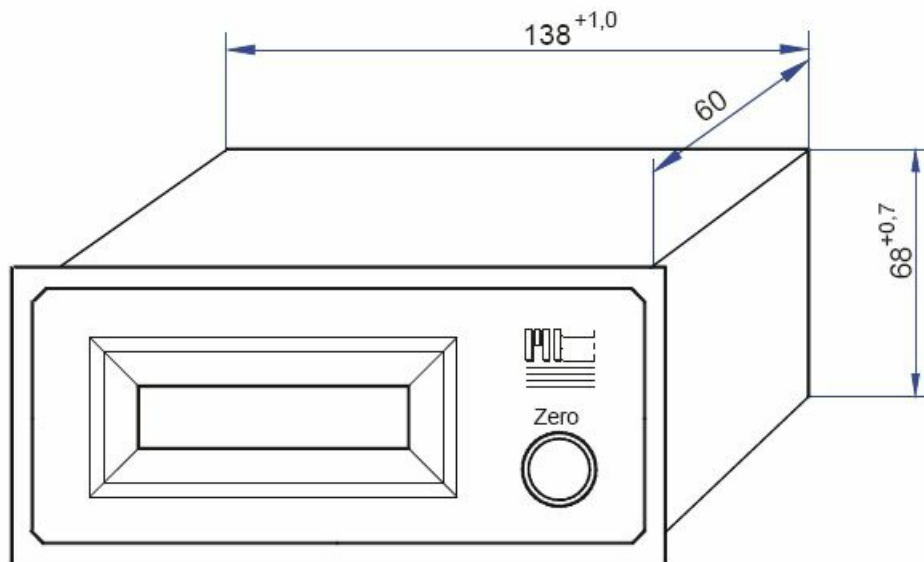
The analog output can be set to 0 via a digital control input. The leveling range is 200% of the measuring range.

For a low-cost measuring amplifier in 24-bit technology, the measurement rate and the excellent software support are particularly remarkable.

The comprehensive software package ME GSV Control is included in the scope of delivery.

Various functions, such as automatic zero-point control and noise reduction, are available.

Dimensions



Technical Data

Input analog

Number of analog inputs	1
Input sensitivity-steps	2.0 3.5 mV/V
Input resistance strain-gauge-full-bridge	87 ... 5000 Ohm
Input voltage f	0 ... 10 V
Input resistance-voltage	56 kOhm

Output analog

Number of analog outputs	1
Output resistance - voltage	47 Ohm

Measuring frequency

Data frequency f	1 ... 1000 Hz
Limit frequency (analog)	1700 Hz

Supply

Supply voltage f	10 ... 29 V
Current consumption f	100 ... 120 mA
Strain gauge bridge supply	2.5 5 V

Interface

Type of the interface	rs232 rs422
Quantity of the interface	2

Zero adjustment

Type	Button digital
Tolerance	0.01 %
Time period	1 ms
Debouncing time	4 ms
Trigger level f	3.4 ... 29 V
Trigger edge	Level

Filter

Order	2
Algorithm	bessel

Temperature

Rated temperature range f	0 ... 50 °C
Operating temperature range f	-20 ... 70 °C
Environmental protection	IP40

Basis Data

Housing	Front panel
---------	-------------




Connection	screw terminal
Number of channels	1-Kanal

Precision

Accuracy class	0,05%
Relative linearity error	0.02 %FS
Temperature effect on the zero point	0.2 %FS/10°C
Temperature effect on the measuring sensitivity	0.1 %RD/10°C
Resolution	24 Bit

accessories

Description	Description
	NGS-74-GHN



Order options

Type	Description
GSV-2FSD-DI -5+5/250/2	Output -5...5 V, 250 Hz, input ± 2 mV/V
GSV-2FSD-DI -5+5/250/2/CANOpen	Output -5...5 V, 250 Hz, input ± 2 mV/V, CANOpen
GSV-2FSD-DI 010/250/2	Output -10...10 V, 250 Hz, input ± 2 mV/V
GSV-2FSD-DI 4-20/250/2	Output 4...20mA, 250 Hz, input ± 2 mV/V