

GSV-2ASD -5+5/250/2



Highlights

- Tare function via control cable
- RS232, RS485 or CAN/CANOpen
- analogue output $\pm 5V$
- optionally 4...20mA output signal
- 24 Bit, to 200.000 Digits display resolution
- extensive software support
- two threshold generator
- trigger input

ME-Meßsysteme GmbH
Neuendorfstr. 18a
DE-16761 Henningsdorf

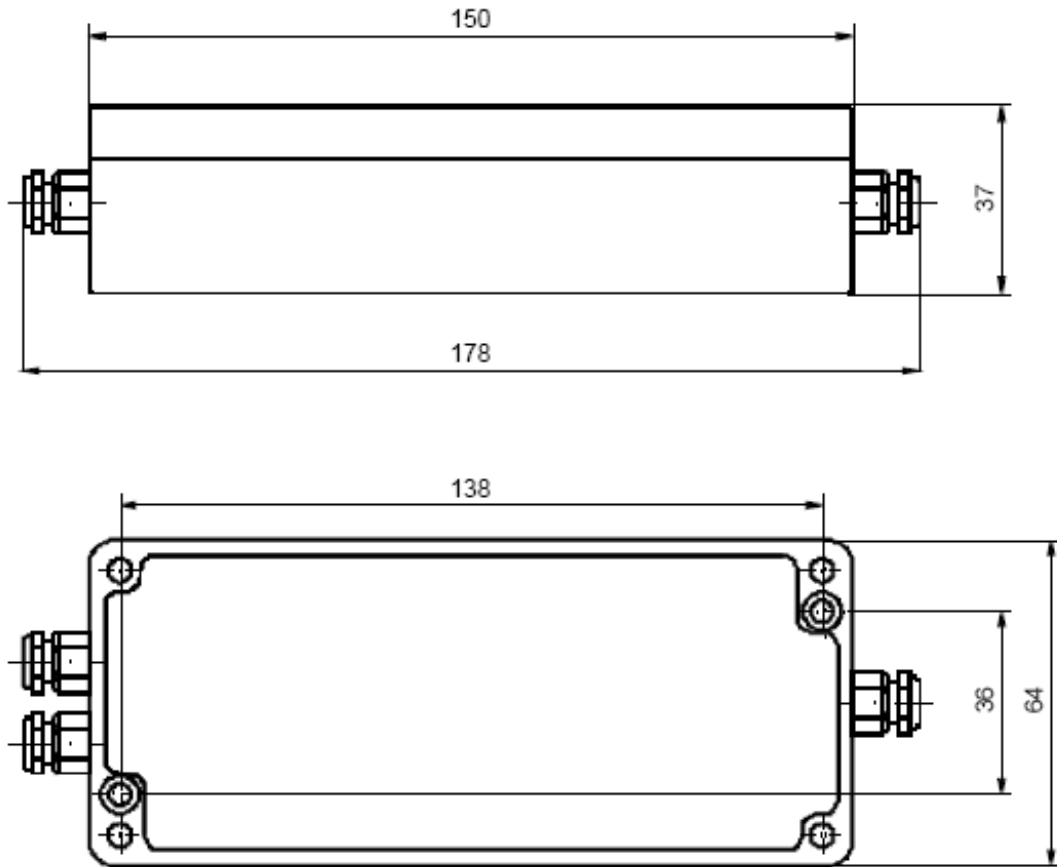
Tel +49 (0)3302 7 86 20 60
Fax +49 (0)3302 7 86 20 69

Mail info@me-systeme.de
Web www.me-systeme.de



Description

Dimensions





Technical Data

Basis Data

Housing	Aluminium
Connection	Connector
Number of channels	1-Kanal

Eingang analog

Number of analog inputs	1
Input sensitivity-steps	2.0 3.5 mV/V
Input resistance strain-gauge-full-/half-bridge	87 ... 5000 Ohm
Input voltage to	10 V
Input resistance-voltage	56 kOhm

Precision

Accuracy class	0,05%
Relative linearity error	0.02 %FS
Temperature effect on the zero point	0.2 %FS/10°C
Temperature effect on the measuring sensitivity	0.1 %RD/10°C
Resolution	24 Bit

Supply

Supply voltage f	10 ... 29 V
Current consumption f	100 ... 120 mA
Strain gauge bridge supply	2.5 5 V

Interface

Type of the interface	rs232 rs422
Quantity of the interface	2

Zero adjustment

Type	digital software Regulation
Tolerance	0.01 %
Time period	1 ms
Debouncing time	4 ms
Trigger level f	3.4 ... 29 V



Trigger edge

Level

Temperature

Rated temperature range to	50 °C
----------------------------	-------

Operating temperature range f	-20 ... 70 °C
-------------------------------	---------------

Environmental protection	IP66
--------------------------	------

Measuring frequency

Data frequency to	1000 Hz
-------------------	---------

Limit frequency (analog)	1700 Hz
--------------------------	---------
