

GSV-1A4 SubD37/2 SubD37/2



Highlights

- Input sensitivity: 2mV/V;
- 4mV/V, 2 mV/V, 1mV/V, 0.5mV/V configurable via jumpers
- Output signals $\pm 10V$ AND 12mA+8mA on 15 pin Sub-D
- Integrated half and quarter bridge completion for 350 ohm strain gauge
- Tare function individually via control cables and together via control cables and switches

Description

The measuring amplifier GSV-1A4 is a measuring amplifier with 4 independent channels for sensors with strain gauges such as force sensors, torque sensors, acceleration sensors or extension sensors.

This measuring amplifier is also suitable for connecting strain gauge full and half bridges from 87.5 ohm to 5000 ohm and strain gauge quarter bridges with 350 ohm.

The measuring amplifier GSV-1A4 is supplied with a plug-in 18V power supply and SUB-D mating plugs.

The voltage and current outputs are at the 15-pin Sub-D socket and one ground for each analogue output. Both outputs have been calibrated and can be used at the same time.

The sensor inputs, bridge completions and the inputs for automatic zero adjustment of the individual channels are at the 37-pin Sub-D socket.

The bridge completion resistance with 0.1% tolerance for 350 ohm strain gauge is maintained. The quarter or half bridge mode can be set by the customer at the 37-pin Sub-D socket (see wiring diagram for 37-pin Sub-D socket).

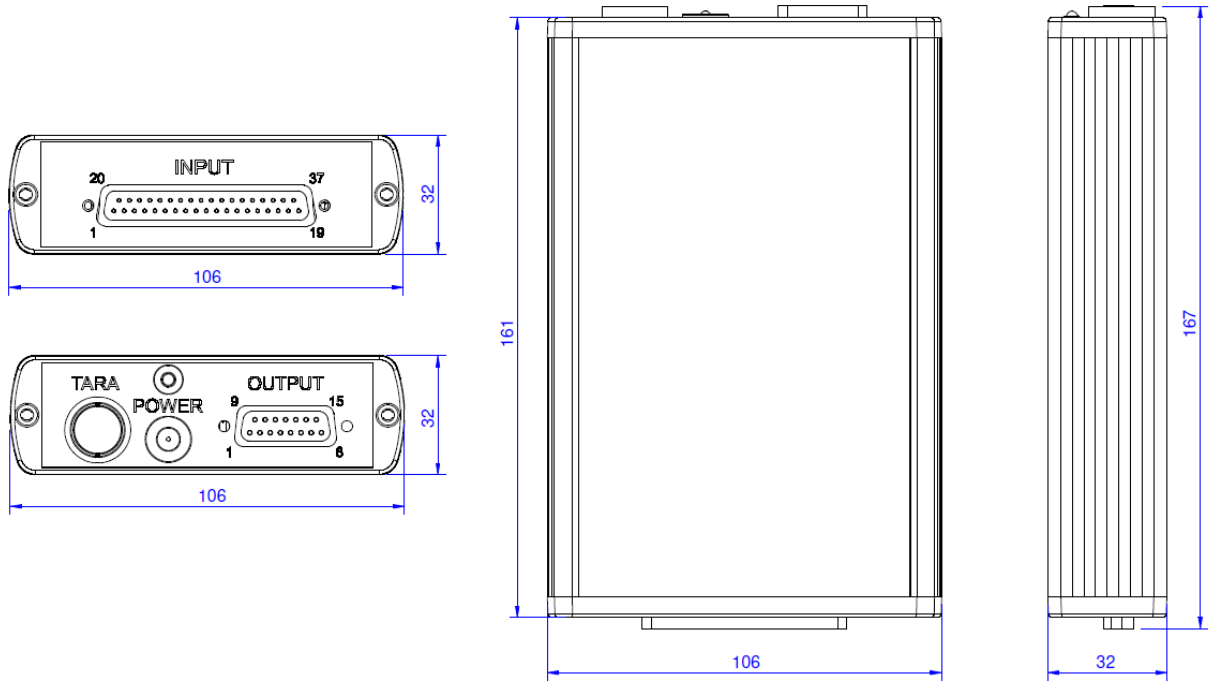
As an option, it is possible to use the 6-wire technology of GSV-1L. The use of 6-wire technology must be configured to the circuit board.

GSV-1A4 M12 socket variant

The GSV-1A4 is optionally equipped with round connectors for the sensor connection.

The mating plugs must be ordered separately or are a component of the sensor.

Dimensions



Technical Data

Basis Data

Housing	Aluminium
Connection	Connector
Connection type	SubD37/2
Number of channels	4-Kanal

Eingang analog

Input sensitivity-steps	0.5 1.0 2.0	mV/V
Input resistance strain-gauge-full-/half-bridge	87 ... 5000	Ohm

Precision

Accuracy class	0,1%	
Relative linearity error	0.02	%FS
Temperature effect on the zero point	0.2	%FS/10°C
Temperature effect on the measuring sensitivity	0.1	%RD/10°C

Supply

Supply voltage f	11 ... 30	V
Strain gauge bridge supply	5	V

Zero adjustment

Type	Button	
Tolerance	5	mV
Time period	90	ms
Debouncing time	4	ms
Trigger level f	3.5 ... 30	V
Trigger edge	falling	

Temperature

Rated temperature range f	-10 ... 65	°C
Operating temperature range f	-40 ... 85	°C
Environmental protection	IP40	

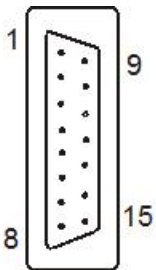
Measuring frequency

Sampling frequency	200	kHz
Limit frequency (analog)	250	Hz

Mounting

Wiring diagram for output socket 15-pin Sub-D socket

Description	Channel 1 Color/PIN	Channel 2 Color/PIN	Channel 3 Color/PIN	Channel 4 Color/PIN
Output voltage	brown 2	yellow 5	red-white 15	light green 12
Output current	red 3	dark green 6	brown-white 14	pink 11
Ground	orange 4	blue 7	black-white 13	white 10
GND for shielding				black 1
Zero-point adjustment (joint)				purple 8
Supply Voltage				grey 9



The colors correspond to the core colors of the supplied 3 m cable with 15-pin connector SubD15.

Terminal assignment 37 pin Sub D, female

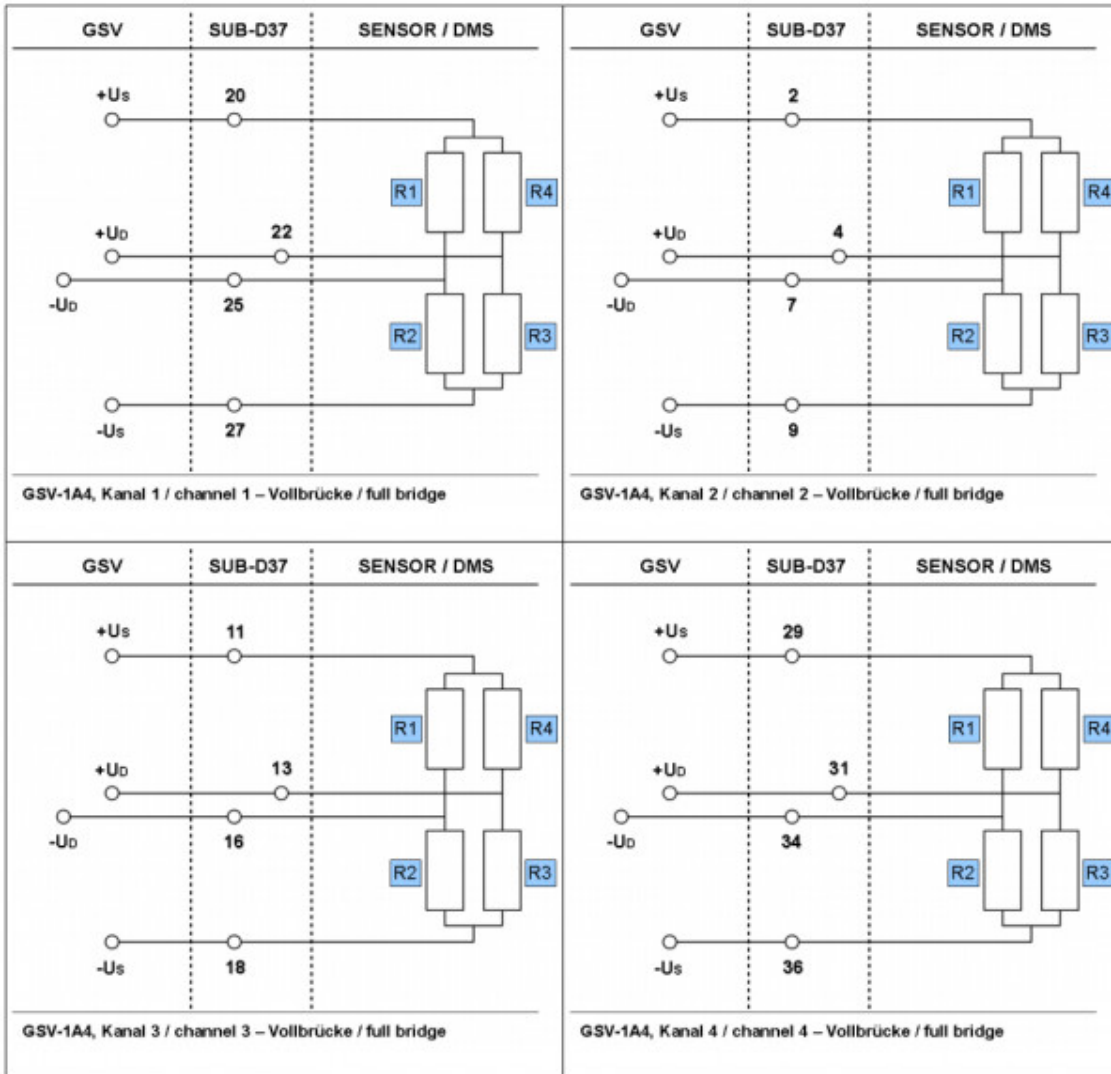
Symbol	Description	Channel 1	Channel 2	Channel 3	Channel 4
+U _S	positive sensor power supply	20	2	11	29

Symbol	Description	Channel 1	Channel 2	Channel 3	Channel 4
+U _F	positive sensor input	21	3	12	30
+U _D	positive differential input	22	4	13	31
QB350	quarter bridge completion 350Ω *	23	5	14	32
HB	half bridge completion **	24	6	15	33
-U _D	negative differential input **	25	7	16	34
-U _F	negative sensor input	26	8	17	35
-U _S	negative sensor power supply	27	9	18	36
Tara	automatic zero-point adjustment	28	10	19	37
GND	Grund/Schirm 1				

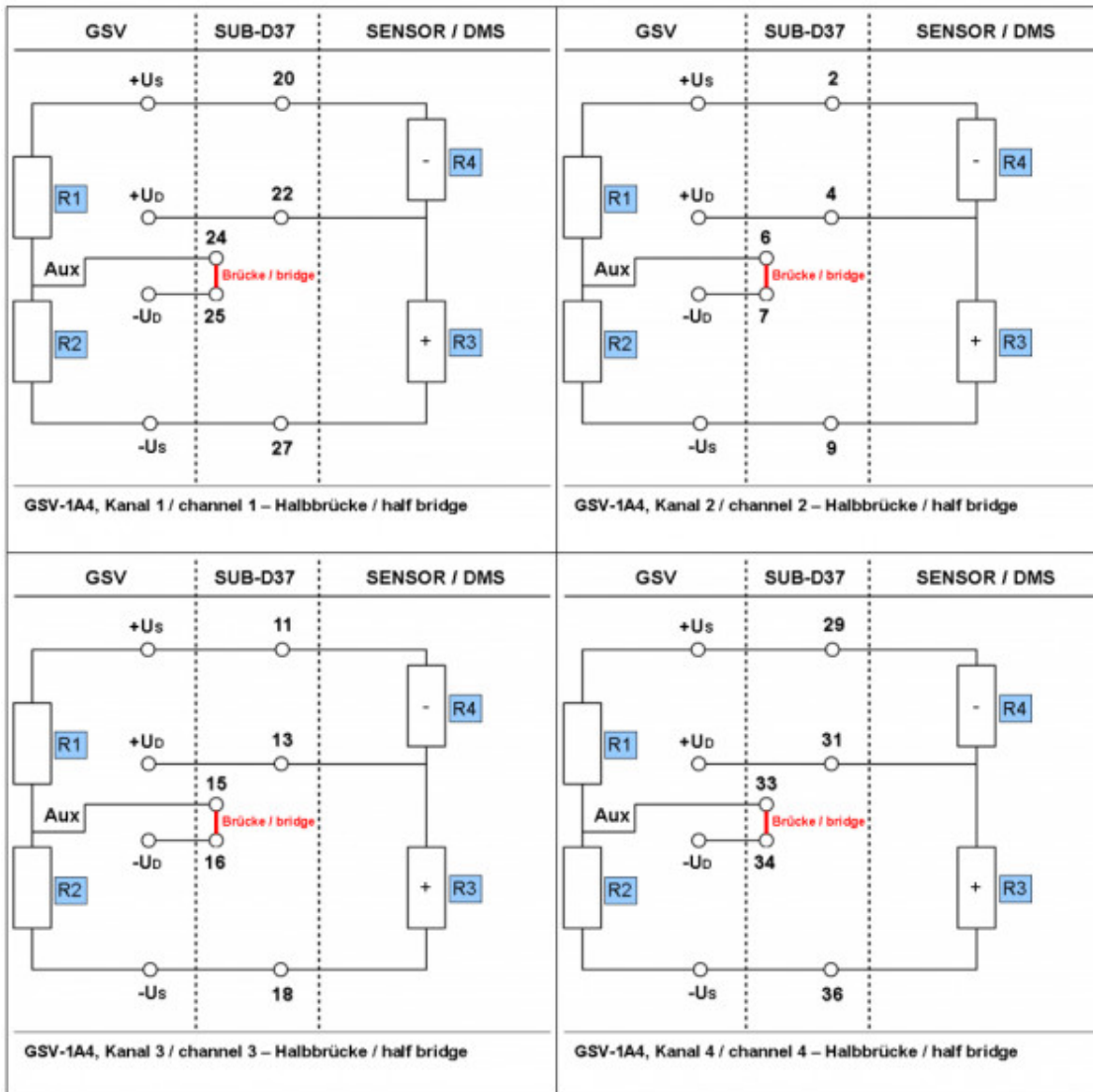
* Half bridge completion must be activated at the same time.

** The negative differential input (25, 7,16, 34) must be connected to the corresponding half bridge completion (24, 6,15, 33).

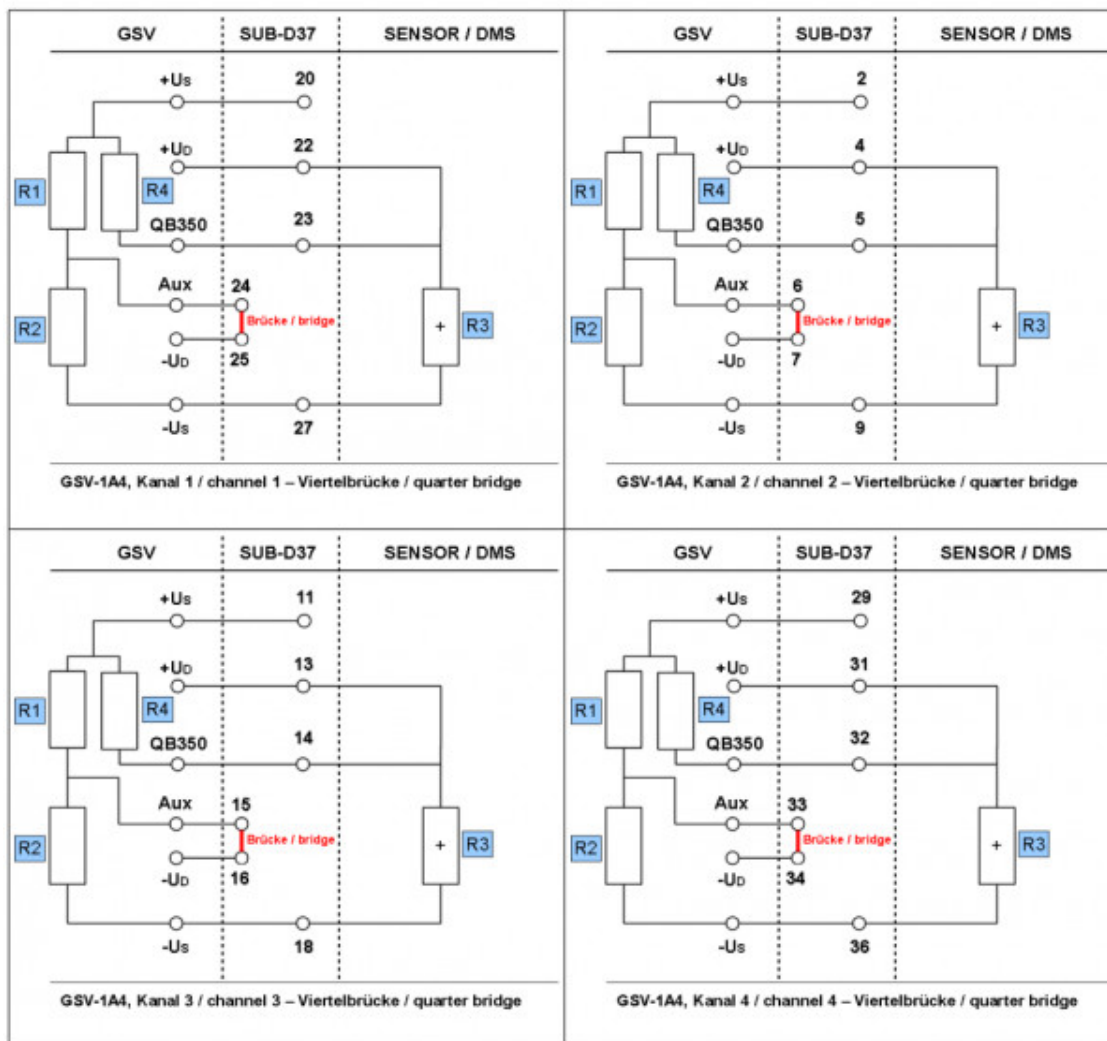
Wiring diagram of a full bridge to SubD-37, channel 1-4



Wiring diagram of a half bridge to SubD-37, channel 1-4

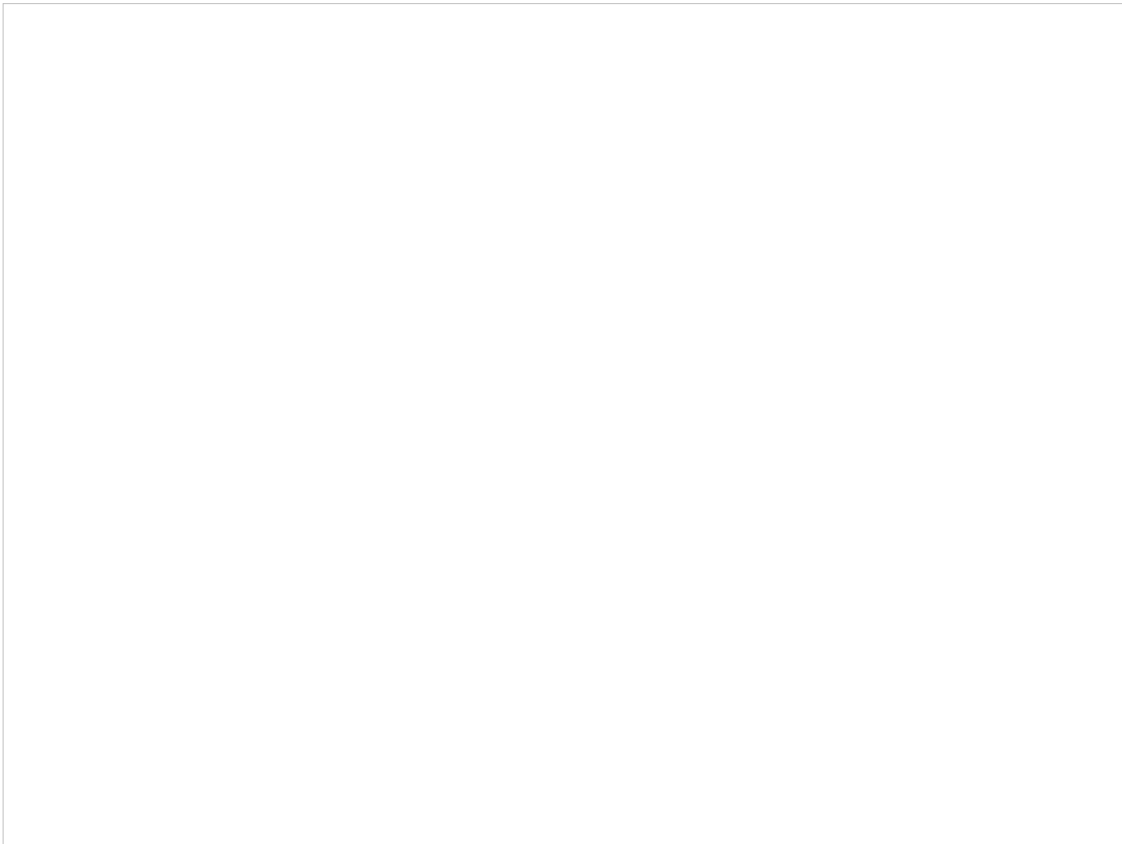


Wiring diagram of a quarter bridge to SubD-37, channel 1-4



Adjusting the sensitivity




The sensitivity of channels 1 to 4 can be adjusted. On the circuit board of the GSV-1A4, each channel has a jumper post field with 4 plug options in total.



Opening the device

1. All 4 screw covers and the fastening screws on each end cover should be removed.
2. The cover with the (37-pin Sub-D socket) must be loosened using the two hexagonal bolts.
3. The circuit board is unplugged from the side of the 15-pin Sub-D socket.
4. In the M12 socket version, the cover is pushed through the housing slightly slanted.

accessories

Description	Description
 Configuration SubD37/m	Connector Type SubD, 37 pin, male (male), with hood
 Connector 15p/m/D-Sub/3,0m	Connector for the analog output of the measuring amplifier GSV-1A4
 Mounting-FEET-100	Mounting plates for GSV-3USB / GSV-3USBx2 / GSV-1A4 / GSV-4USB