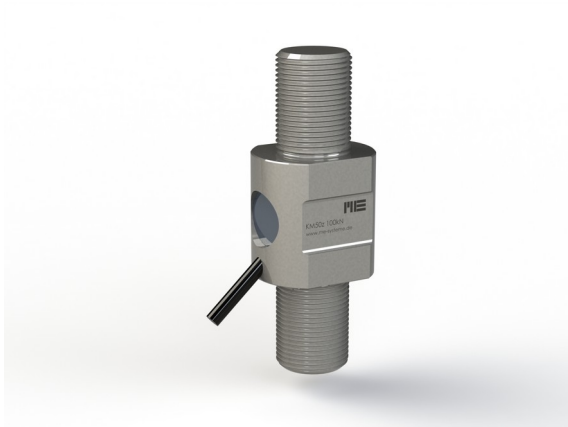


Force Sensor KM50z 100kN

Item number: 3731



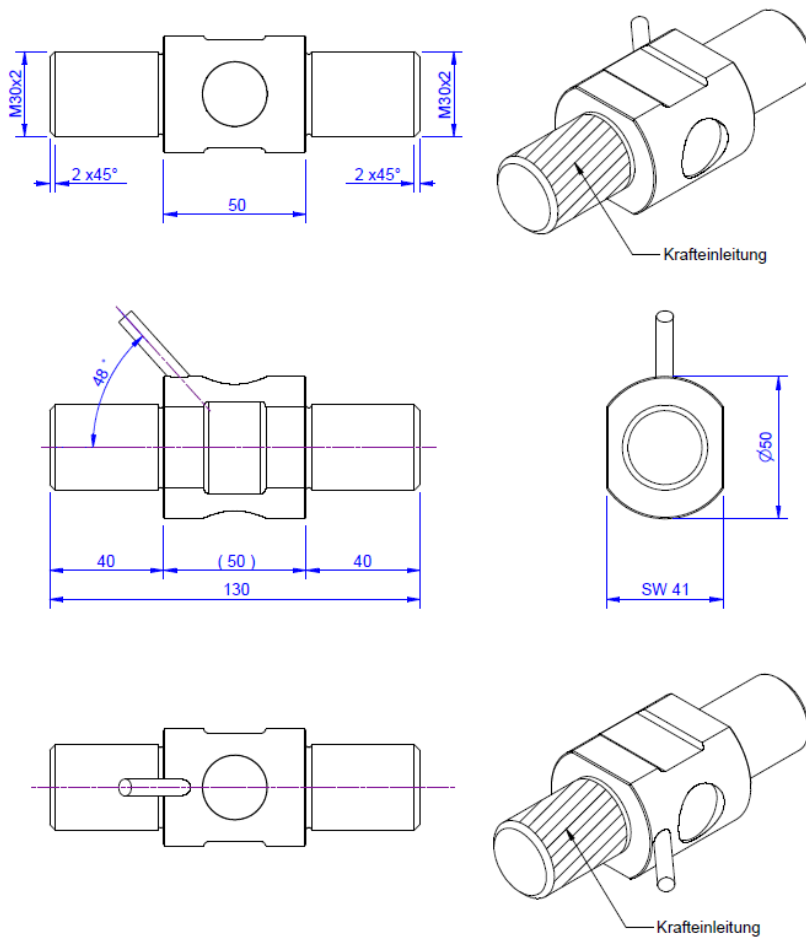
The KM50z force sensor is a compact tension/compression force sensor. Two M30 coarse-feeding threads are provided for application of force.

The protection class is IP 67.

Optional special version

- Pressure range up to 8 bar

Technical Drawing



Technical Data

Basic Data		Unit
Type	Kraftsensor	
Force direction	Tension/Compression	
Rated force F _x	100	kN
Force introduction	external thread	
Dimension 1	M30x2	
Sensor Fastening	external thread	
Dimension 2	M30x2	
Operating force	200	%FS
Rated displacement	0.04	mm
Lateral force limit	10	%FS
Material	Stainless steel	
Natural frequency f _x	10	kHz
Dimensions	Ø50mm x 130mm	
Height	130	mm
Length or Diameter	50	mm
Torque limit	100	Nm
Bending moment limit	100	Nm
Variants	100kN	

Electrical Data		Unit
Input resistance	390	Ohm
Tolerance input resistance	40	±
Output resistance	350	Ohm
Insulation resistance	2x10 ⁹	Ohm
Rated range of excitation voltage from	2.5	V
Rated range of excitation voltage to	5	V
Operating range of excitation voltage from	1	V
Operating range of excitation voltage to	10	V
Zero signal	0.05	mV/V
Rated output	1	mV/V / FS

Accuracy Data		Unit
Accuracy class	1	
Relative linearity error	0.1	%FS
Relative zero signal hysteresis	0.05	%FS
Temperature effect on zero signal	0.02	%FS/K
Temperature effect on characteristic value	0.02	%RD/K
Relative creep	0.1	%FS

Environmental Data		Unit
Rated temperature range from	-10	°C
Rated temperature range to	70	°C
Operating temperature range from	-10	°C
Operating temperature range to	85	°C
Storage temperature range from	-10	°C
Storage temperature range to	85	°C
Environmental protection	PI67	

Abbreviation : RD: „Reading“; FS: „Full Scale“;1. The exact nominal sensitivity is indicated in the test report.2. Values in () for compression and tension fluctuating measurement values

Pin Assignment

Channel	Symbol	Description	Wire color	PIN
	+Us	positive bridge supply	brown	
	-Us	negative bridge supply	white	
	+Ud	positive bridge output	green	
	-Ud	negative bridge output	yellow	

Pressure load: positive output signal.
Shield- transparent.

Mounting

When assembling attachment parts, hold the sensor in place on the installation side / do not load any fastening torque through the sensor. The load can be inserted on the end faces. Calibration is carried out with force via the thread, not via the end faces. When loading the sensor on the end faces, the calibration can vary by a few percent compared to the calibration with a force via the thread.