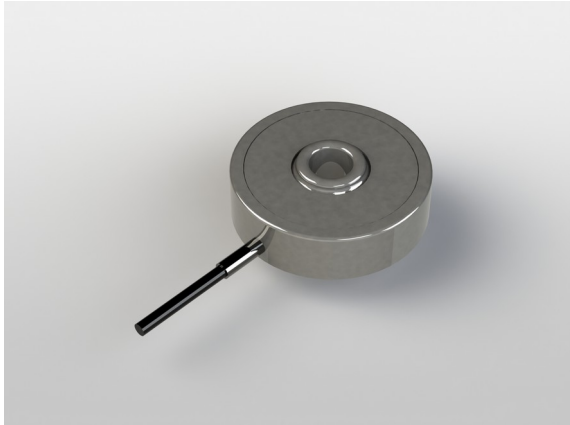
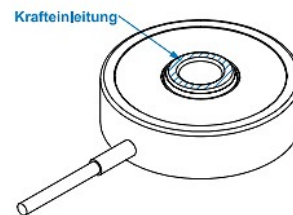
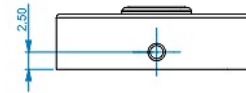
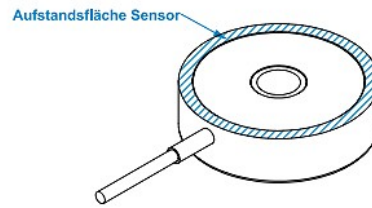
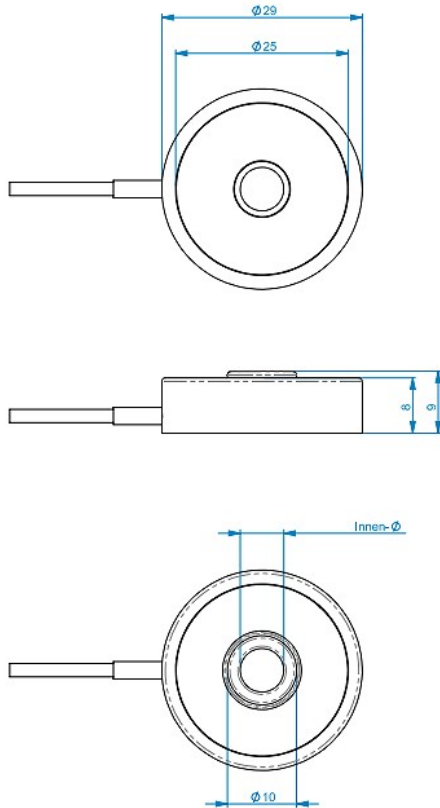


## Force Sensor KR29 2kN

Item number: 12386



## Technical Drawing



Last	Innen-Ø
10kN	6,30
5kN	5,30
2kN	4,30

## Technical Data

Basic Data		Unit
Type	Kraftsensor	
Force direction	Compression	
Rated force F <sub>x</sub>	2	kN
Force introduction	Innendurchmesser	
Dimension 1	Ø4,3mm	
Sensor Fastening	Ringfläche	
Dimension 2	Ø29	
Operating force	4	kN
Rated displacement	0.05	mm
Lateral force limit	4	kN
Material	Stainless steel	
Natural frequency f <sub>x</sub>	23	kHz
Dimensions	Ø 29 mm x 9 mm	
Height	9	mm
Length or Diameter	29	mm
Torque limit	20	Nm
Bending moment limit	10	Nm
Variants	2kN... 10kN	

Electrical Data		Unit
Rated output	1	mV/V

Accuracy Data		Unit
Accuracy class	1	

Environmental Data		Unit
Rated temperature range from	-10	°C
Rated temperature range to	70	°C
Operating temperature range from	-10	°C
Operating temperature range to	85	°C
Storage temperature range from	-10	°C
Storage temperature range to	85	°C
Environmental protection	IP65	

Abbreviation : RD: „Reading“; FS: „Full Scale“;1) The exact nominal sensitivity is indicated in the test report.