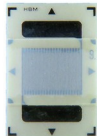
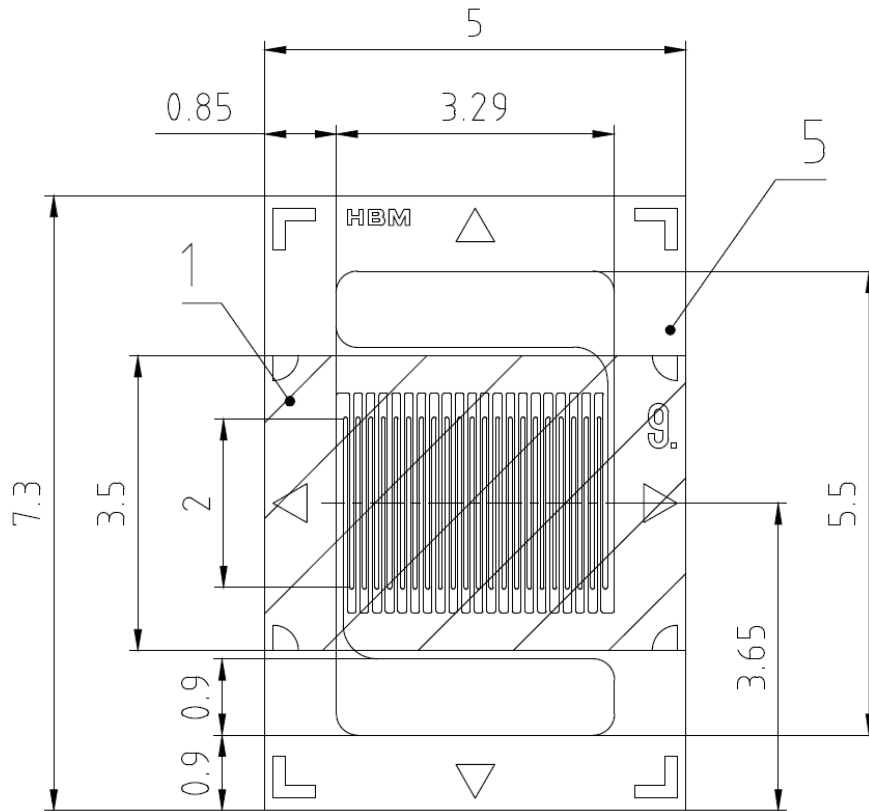


Strain gauge K-216.12-2095

Item number: 12035



Technical Drawing



Technical Data

Strain gauge		Einheit
Purpose of measurement	Aufnehmerbau	
Type	Metallfolie	
Number of grids	1	
Grid width	3.29	mm
maximum width	5	mm
Grid length	2	mm
maximum length	7.3	mm
Resistance	350	Ohm
Connection	Solder pad	
Temperature adjustment	Aluminium	
Substrate	PEEK	