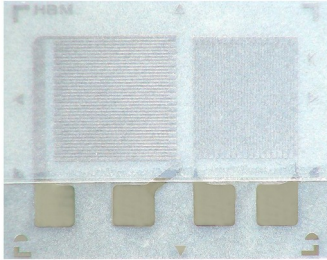
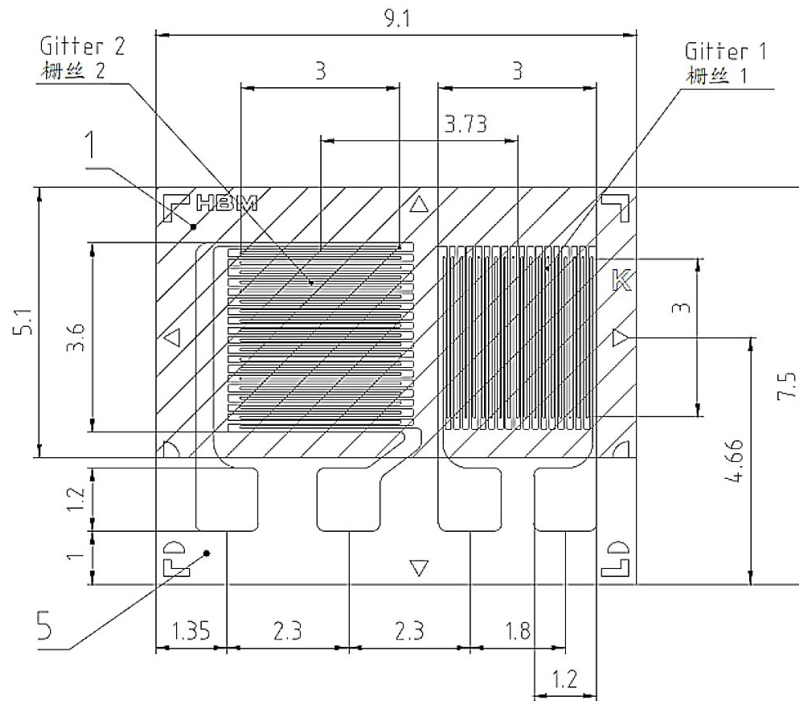


## Strain gauge K-216.68-2206

Item number: 12027



## Technical Drawing



## Technical Data

Strain gauge		Einheit
Purpose of measurement	Aufnehmerbau	
Type	Metallfolie	
Number of grids	2	
Grid width	3	mm
maximum width	9.1	mm
Grid length	3	mm
maximum length	7.5	mm
Resistance	350	Ohm
Grid disposition	0-90	
Connection	Solder pad	
Temperature adjustment	Stahl	
Substrate	PEEK	