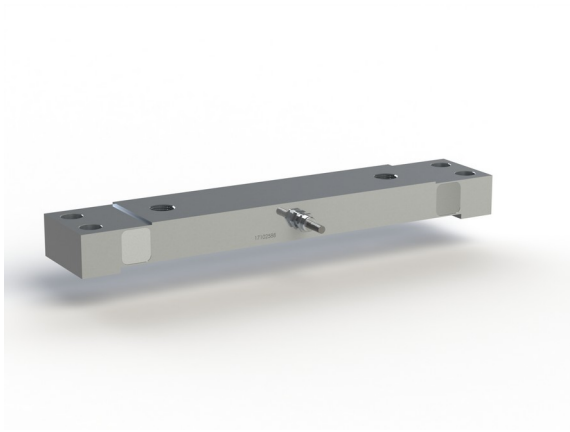


## Force Sensor KS420 10kN

Item number: 8705



The KS420 force sensor is suitable for measuring forces between two bearing surfaces.

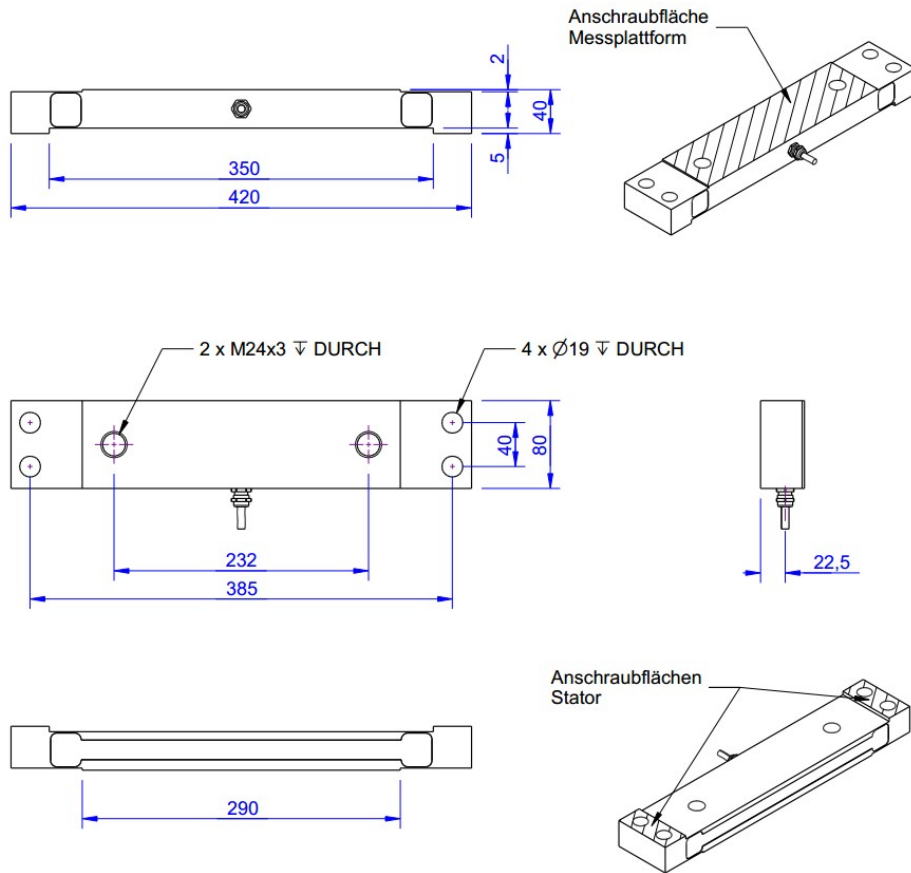
This force sensor is used, for example, to measure the bearing force of INA pillow block bearings with a diameter of 80 mm.

Other dimensions are manufactured upon request according to drawings.

### Optionale Sonderausführung

- Protection class IP68: from rated force 200 N
- Vacuum version from  $10^{-5}$  mbar
- Pressure range up to 8 bar
- Suitable for cleanrooms

# Technical Drawing



## Technical Data

Basic Data		Unit
Type	Kraftsensor	
Force direction	Tension/Compression	
Rated force F <sub>x</sub>	10	kN
Force introduction	Internal thread	
Dimension 1	2xM24x3	
Sensor Fastening	Through-hole	
Dimension 2	4xØ19	
Operating force	150	%FS
Rated displacement	0.1	mm
Lateral force limit	50	%FS
Material	tool steel	
Surface	Galvanisch verzinkt	
Dimensions	420mm x 80mm x 40mm	
Height	40	mm
Length or Diameter	420	mm
Variants	10kN... 50kN	

Electrical Data		Unit
Input resistance	200	Ohm
Tolerance input resistance	25	Ohm
Output resistance	350	Ohm
Insulation resistance	2	GOhm
Rated range of excitation voltage from	2.5	V
Rated range of excitation voltage to	5	V
Operating range of excitation voltage from	1	V
Operating range of excitation voltage to	10	V
Zero signal	0.05	mV/V
Rated output	1	mV/V / FS

Accuracy Data		Unit
Accuracy class	0,1	
Relative linearity error	0.1	%FS
Relative zero signal hysteresis	0.1	%FS
Temperature effect on zero signal	0.01	%FS/K
Temperature effect on characteristic value	0.02	%RD/K
Relative creep	0.1	%FS
Environmental Data		Unit
Rated temperature range from	-10	°C
Rated temperature range to	70	°C
Operating temperature range from	-10	°C
Operating temperature range to	85	°C
Storage temperature range from	-10	°C
Storage temperature range to	85	°C
Environmental protection	IP65	

Abbreviation : RD: „Reading“; FS: „Full Scale“;1) The exact nominal sensitivity is indicated in the test report.2) optional: 780 ±80 Ohm Pin Configuration

## Pin Assignment

Channel	Symbol	Description	Wire color	PIN
	+Us	positive bridge supply	brown	
	-Us	negative bridge supply	white	
	+Ud	positive bridge output	green	
	-Ud	negative bridge output	yellow	

Screen - transparent. Pressure load: positive output signal