

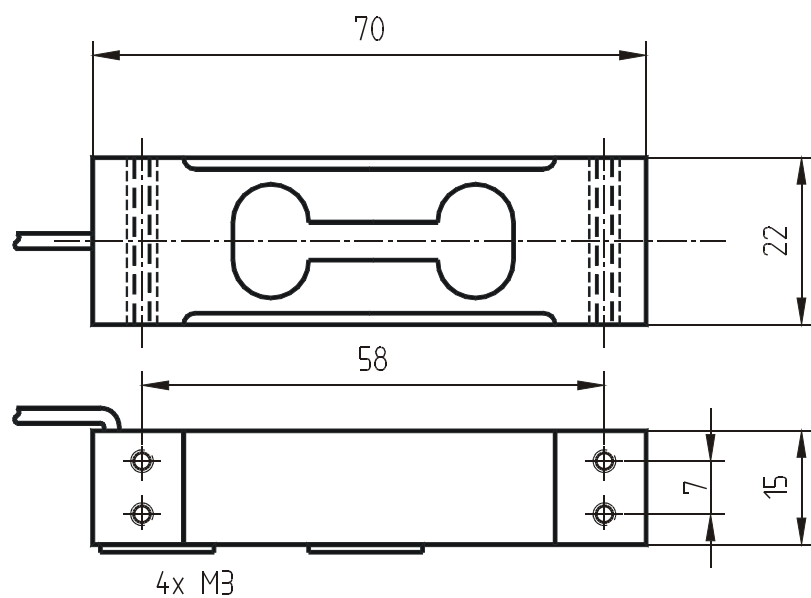
Load Cell LCB70

Nominal load ranges (compression) 2kg, 5kg

The load cell LCB70 is used in miniature weighing platforms. Despite its small dimensions it can be built into a platform of up to 200mm x 200mm.

Environmental protection of the load cell LCB70 is IP 66.

Dimensions





Load cell LCB70

Nominal load ranges (compression) 2kg, 5kg

Technical Data

Load cell	compression
Construction	bending beam
Material	aluminum alloy
Accuracy classes	F (0.1%),
Nominal loads (F _N)	2kg and 5kg

Accuracy class accord. to OIML R60	E		
Maximum scale division value	1000		
Combined error	< ±0.03		% S _N
Creep error (30 min)	< ±0.05		% S _N
Temp. coeff. of the zero signal	< ±0.1		% F _N / 10°C
Temp. coeff. of the nominal output	< ±0.03		% S _N / 10°C

Operating load	150	% F _N
Breaking load	300	% F _N

Nominal temperature range	-10...+40	°C
Operating temperature range	-30...+70	°C
Storage temperature range	-30...+70	°C

Nominal output (S _N)	2.0 ±10%	mV/ V
Zero signal tolerance	±10	% F _N
Max. supply voltage	15	V
Input resistance	400 ±20	Ohm
Output resistance	350 ±3.5	Ohm
Insulation resistance	> 2 · 10 ⁹	Ohm
Connection, 4-conductor open	0.4	m

Pin Configuration

+U _s	positive bridge supply	green
-U _s	negative bridge supply	black
+U _D	positive bridge output	red
-U _D	negative bridge output	white