

Force sensor KM30z

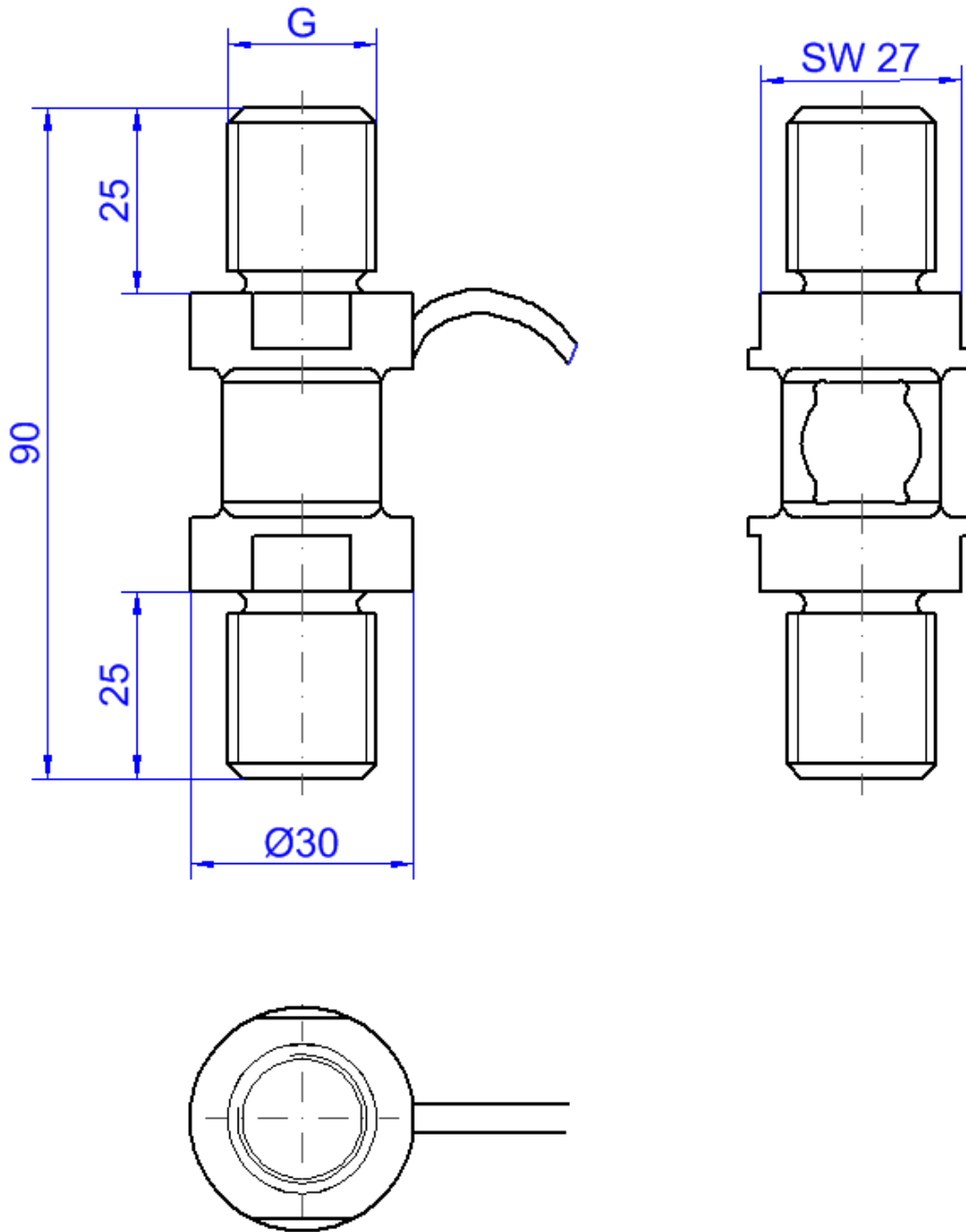
Nominal force sensor 2 kN, 10 kN, 50 kN

The force sensor KM 26z is a sensor to measure tensile loads or pressure with compact dimensions. There are 2 threads for the force input: M12 until 10kN, M20 until 50kN protection category IP 67.





Dimensions:



Sensor:	2kN	10kN	50kN
Material:	Alu	Stahl	Stahl
G:	M12	M12	M20

Force sensor KM30z

Nominal force sensor 2 kN, 10 kN, 50 kN

Technical datas

Force sensor	Tensile force/pressure	
Structural shape	Compression strut	
Diameter x high	30 x 40	mm x mm
Force input (2 kN, 10 kN)	2 x thread M12	
Force input (50 kN)	2 x thread M20	
Material	Aluminium 2 kN / steel 10kN, 50kN	
Accuracy class	0,5	
Nominal force F_N	2, 10, 50	kN
Operation force	150	% F_N
Break load	300	% F_N
Maximum transverse load	20	% F_N
Nominal temperature range	-20...+60	°C
Operating temperature range	-20...+70	°C
Storage temperature range	-20...+70	°C
Nominal output (S_N)	$1,0 \pm 0,01$	mV/V
Zero signal toleranz	± 5	% F_N
Maximum voltage supply	10	V
Input resistance	700 ± 30	Ohm
Output resistance	$700 \pm 2,5$	Ohm
Insulation resistance	$> 5 \cdot 10^9$	Ohm
Insulation resistance	3	m
Linearity deviation	$\leq 0,1$	% S_N
Reversal error	$\leq 0,1$	% S_N
Temperature coefficient of the zero signal	$\leq \pm 0,05$	% F_N /K
Temperature coefficient of the specific value	$\leq \pm 0,05$	% S_N /K
Creep deviation (30 min)	$\leq 0,1$	% S_N

Pin configuration

+Us	positive bridge supply	brown	
-Us	negative bridge supply	white	
+U _D	positiver bridge output	green	
-U _D	negativer bridge supply	yellow	

Pressure load: positive output signal