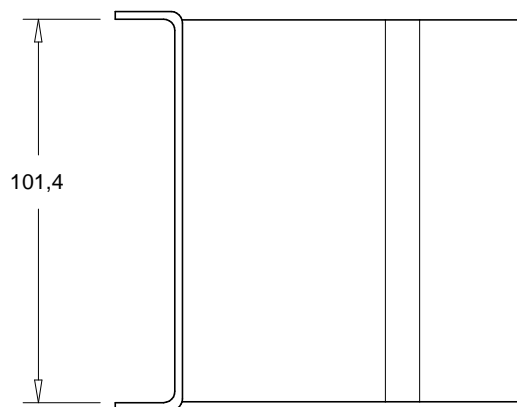
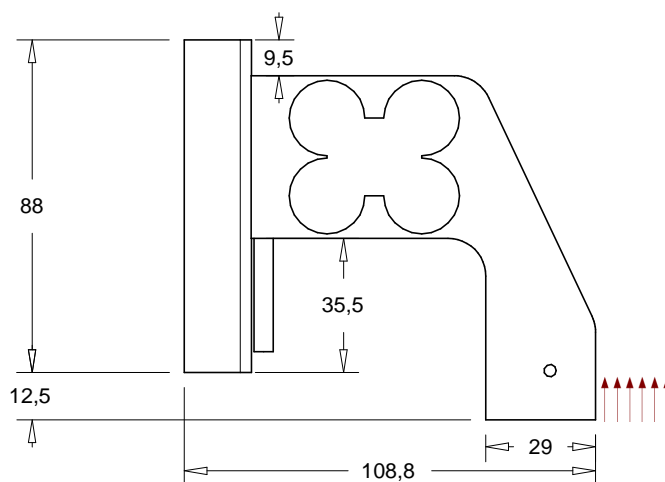
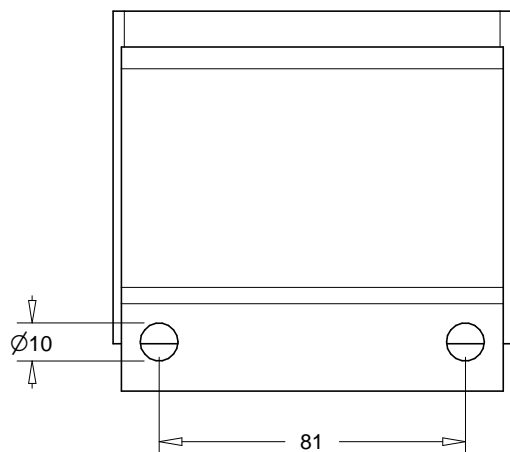


# KD001

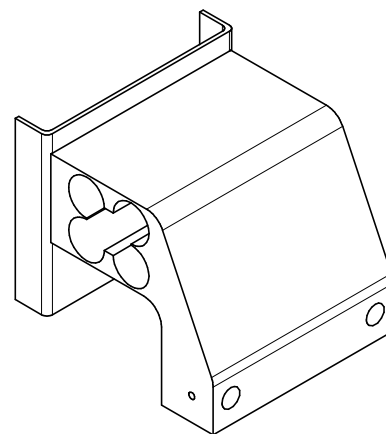
Spezial Force Sensor for Mammography machines

Capacity: 250N



## Spezifikationen:

<b>Dimension / Material</b>		
Type of Construction		Bending Beam
Material		Aluminium (ano.)
Protection class		IP 62
<b>Mechanical Data</b>		
Capacity (Fn)	N	250
Safe Overload	%Fn	150
Breaking Load	%Fn	300
<b>Electrical Data</b>		
Rated Output (Sn)	mV/V@Fn	1
Zero Balance	mV/V	±0,05
Excitation (Maximum)	Volt	10
Input Resistance	Ohm	400±50
Output Resistance	Ohm	352±2
Insulating Resistance	GOhm	>5
<b>Precision</b>		
Precisionclass	%	1
Nonlinearity	%Sn	1
Hysteresis	%Sn	0,5
Temp. Shift Zero	%Sn/K	±0,1
Temp. Shift Span	%Sn/K	±0,1
Creep Error	%Sn	<0,05
<b>Temperature</b>		
Compensated Temp.	°C	-20...+60
Operating Temp.	°C	-20...+70



ME-Meßsysteme GmbH  
Neuendorfstraße 18a  
16761 Hennigsdorf Germany

Mail: info@me-systeme.de  
Phone: +49 (0) 3302-7862060  
Fax : +49 (0) 3302-559141

Internet:  
www.me-systeme.de